

VELAN

API 6D & 6A Trunnion-Mounted Ball Valves

- Bolted Body Side-Entry
- Welded Body
- Top-Entry



Sizes: 1–64"
(25–1600 mm)

API 6D Pressure Range:
ASME 150–2500

API 6A Pressure Range:
API 2000–15000

*Please note this is a condensed catalog.
For a complete version, contact Velan directly.*

PROFILE

Velan is one of the world's leading manufacturers of industrial valves, supplying forged and cast steel gate, globe, check, ball, butterfly, knife gate and engineered severe service valves for critical applications in power, chemical and petrochemical, oil and gas, pulp and paper, mining, marine, cryogenic and general construction industries.

Founded in 1950, Velan earned a reputation for excellence as a major supplier of forged valves to nuclear power plants and the U.S. Navy. Velan has pioneered many innovative valve designs, emphasizing quality, safety, ease of operation, low emissions, simple in-line maintenance and long cycle life.

Velan's product lines are manufactured in thirteen specialized manufacturing plants, including six in Canada and U.S.A., four in Europe, and three in Asia. We have 1,425 employees, 75% of whom are located in our North American operations.

VELAN API 6D & 6A TRUNNION-MOUNTED BALL VALVES

are designed and manufactured in Italy by Velan Srl. and in North America by Velan Inc.

Velan has been manufacturing ball valves for the oil and gas industries for over twenty years and has held API 6D approval since 1993. The establishment of Velan Srl., a new operation in Mezzago, Italy, brings together Velan's valve engineering and manufacturing leadership with Roberto Bartolena's extensive experience in the design and production of API 6D & 6A trunnion-mounted ball valves.

CONTENTS

Manufacturing Plants	1
Product Range	2
Velan Trunnion Mounted Ball Valve Features	3
Design Features	4-8
Bolted Body Side-Entry Ball Valve	9
Welded Body Ball Valve	10
Top-Entry Ball Valve	11
Dimensions & Weights.....	12-23
Engineering Data	24-25
Material Specifications.....	26
Flow Coefficient Data (Cv)	27
How to Order	28-29

Velan has sales offices and distributors located worldwide.

GENERAL INFORMATION

NORTH AMERICA: Tel: (514) 748-7743 Fax: (514) 748-8635

INTERNATIONAL: Tel: (39) 039 62-4111 Fax: (39) 039 688-3357

Visit the Velan website at www.velan.com for an updated contact list.

PRODUCT RANGE

PRODUCT RANGE

API 6D

API 6A

Service	SIZE (in/mm) – PRESSURE RANGE				SIZE (in/mm) – PRESSURE RANGE ⁽¹⁾				
	ASME 150–600	ASME 900	ASME 1500	ASME 2500	API 2000	API 3000	API 5000	API 10000	API 15000

SIDE-ENTRY

Standard	1–64 25–1600	1–56 25–1400	1–40 25–1000	1–32 25–800	1–18 25–450	1–18 25–450	1–18 25–450	1–18 25–450	1–12 25–300
Low Temperature -46°C / -50°F	1–64 25–1600	1–56 25–1400	1–40 25–1000	1–32 25–800	1–18 25–450	1–18 25–450	1–18 25–450	1–18 25–450	1–12 25–300
Cryogenic -47°C to -196°C / -52°F to -320°F	1–36 25–900	1–36 25–900	1–24 25–600	1–12 25–400	N/A	N/A	N/A	N/A	N/A
Sub Sea	1–64 25–1600	1–56 25–1400	1–40 25–1000	1–32 25–800	1–18 25–450	1–18 25–450	1–18 25–450	1–18 25–450	1–12 25–300
Underground	1–64 25–1600	1–56 25–1400	1–40 25–1000	1–32 25–800	1–18 25–450	1–18 25–450	1–18 25–450	1–18 25–450	1–12 25–300
High Temperature 280°C to 450°C / 536°F to 842°F	1–36 25–900	1–36 25–900	1–24 25–600	1–12 25–400	1–18 25–450	1–18 25–450	1–18 25–450	1–18 25–450	1–12 25–300
Underground - Low Temperature -46°C / -50°F	1–64 25–1600	1–56 25–1400	1–40 25–1000	1–32 25–800	1–18 25–450	1–18 25–450	1–18 25–450	1–18 25–450	1–12 25–300

WELDED BODY

Standard	2–64 50–1600	2–36 50–900	2–16 50–400	N/A
Low Temperature -46°C / -50°F	2–64 50–1600	2–36 50–900	2–16 50–400	N/A
Sub Sea	2–64 50–1600	2–36 50–900	2–16 50–400	N/A
Underground	2–64 50–1600	2–36 50–900	2–16 50–400	N/A
Underground - Low Temperature -46°C / -50°F	2–64 50–1600	2–36 50–900	2–16 50–400	N/A

TOP-ENTRY

Standard	2–56 50–1400	2–48 50–1200	2–30 50–750	2–16 50–400	1–8 25–200	1–8 25–200	1–8 25–200	1–8 25–200	N/A
Low Temperature -46°C / -50°F	2–56 50–1400	2–48 50–1200	2–30 50–750	2–16 50–400	1–8 25–200	1–8 25–200	1–8 25–200	1–8 25–200	N/A
Cryogenic -47°C to -196°C / -52 to -320°F	2–36 50–900	2–36 50–900	2–24 50–600	2–12 50–300	N/A	N/A	N/A	N/A	N/A
Sub Sea	2–56 50–1400	2–48 50–1200	2–30 50–750	2–16 50–400	1–8 25–200	1–8 25–200	1–8 25–200	1–8 25–200	N/A
Underground	2–56 50–1400	2–48 50–1200	2–30 50–750	2–16 50–400	1–8 25–200	1–8 25–200	1–8 25–200	1–8 25–200	N/A
High Temperature 280°C to 450°C / 536°F to 842°F	2–36 50–900	2–36 50–900	2–24 50–600	2–12 50–300	1–18 25–450	1–18 25–450	1–18 25–450	1–18 25–450	N/A
Underground - Low Temperature -46°C / -50°F	2–56 50–1400	2–48 50–1200	2–30 50–750	2–16 50–400	1–8 25–200	1–8 25–200	1–8 25–200	1–8 25–200	N/A

(1) The API designation is the actual working pressure in psi.

FEATURES

FEATURE	SIDE-ENTRY	WELDED BODY	TOP-ENTRY
Trunnion Mounted	Standard	Standard	Standard
Independent Stem & Ball	Standard	Standard	Standard
Independent Floating Seats	Standard	Standard	Standard
Primary Soft Seat - Secondary Metal Seat	Standard	Standard	Standard
Primary Metal Seat - Secondary Soft Seat	On Request	On Request	On Request
Metal to Metal Seat	On Request	N/A	On Request
Self Relieving Seats	Standard	Standard	Standard
Single Piston Seat Effect	Standard	Standard	Standard
Double Piston Seat Effect	On Request	On Request	On Request
Combination (Self Relieving/Double Piston) Seats	On Request	On Request	On Request
API 6A or API 6D Design and Construction	As Required	As Required	As Required
Face to Face Dimensions to API 6D and ANSI B16.10	Standard	Standard	Standard
Fire Safe Design to API 6FA - API 607 - BS 6755 Part 2	Standard	Standard	Standard
Full, Reduced or Venturi Port	As Required	As Required	As Required
Flanged Ends - Welded Ends - Hub Ends	As Required	As Required	As Required
Transition Pups for Welded Ends Valves	On Request	On Request	On Request
Antistatic	Standard	Standard	Standard
Anti-Blowout Stem	Standard	Standard	Standard
Double Block and Bleed	As Required	As Required	As Required
Possibility to Check Seat Integrity In Line with Ball in Open or Closed Position	Standard	Standard	Standard
Double Body Seals	Standard	Not Required	Standard
Triple Stem Seals	Standard	Standard	Standard
Drain Plug	Standard	Standard	Standard
Drain Valve	On Request	On Request	On Request
Vent Valve (on 6" and larger)	Standard	Standard	Standard
Emergency Sealant Injection on Stem	Standard	Standard	Standard
Emergency Sealant Injection on Seats (on 6" & larger)	On Request	On Request	On Request
Seat Pocket Overlay	On Request	On Request	On Request
Seals Area Overlay	On Request	On Request	On Request
Wetted Parts Overlay	On Request	N/A	On Request
Body Internal Lining	On Request	N/A	On Request
Extended Stem for Underground Installation	As Required	As Required	As Required
Extended Bonnet for Low or High Temperature	As Required	N/A	As Required
Locking Device	On Request	On Request	On Request
Lifting Lugs	Standard on 6" and Larger		
Supporting Feet	Standard on 6" and Larger		
Manual or Motorized Operation	As Required	As Required	As Required
In-line Maintenance	N/A	N/A	Yes
On site Maintenance	Yes	N/A	Yes

Note: Other features are available on request.

VELAN TRUNNION-MOUNTED BALL VALVE DESIGN FEATURES

Velan's standard trunnion-mounted ball valves offer increased value by incorporating advanced design features.

TRUNNION-MOUNTED BALL

The ball is fixed and the seat rings are floating, free to move along the valve axis.

Side load generated by the pressure acting on the ball is absorbed by bearings.

At low pressure the seat sealing action is achieved by the thrust of the springs acting on the seat rings.

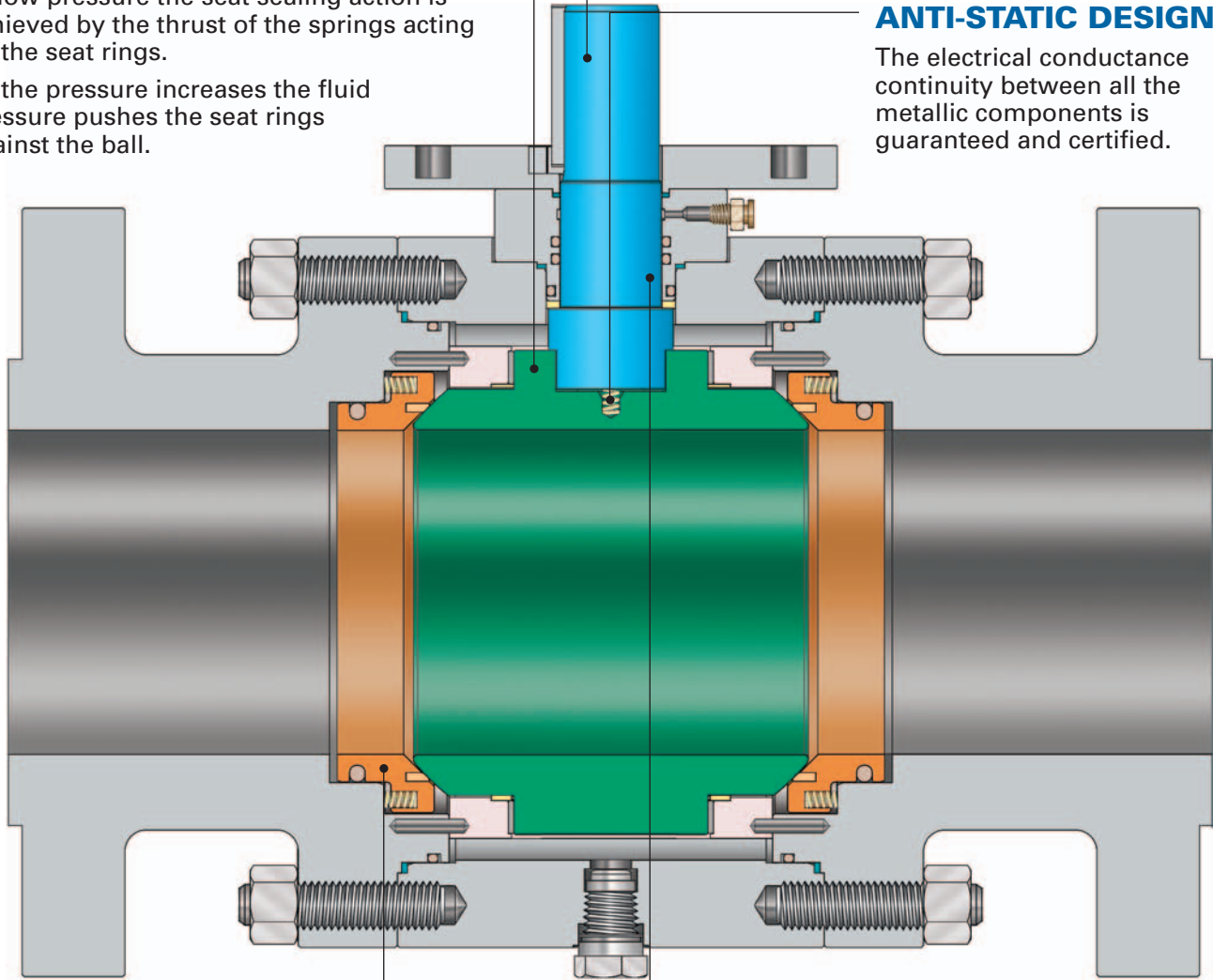
As the pressure increases the fluid pressure pushes the seat rings against the ball.

INDEPENDENT BALL AND STEM

The ball and stem are independent to minimize the effect of the side thrust generated by the pressure acting on the ball.

ANTI-STATIC DESIGN

The electrical conductance continuity between all the metallic components is guaranteed and certified.



FLOATING SEAT RINGS

Two independent floating seat rings assure the bi-directional tightness of the valve. The seats are carefully designed to minimize the torque required to operate the valves without losing sealing power, which is assured from zero differential pressure to the valve's maximum rated pressure.

LOW EMISSION VALVES

Accurate machining of stem and bonnet sealing surfaces ensures compliance with the most severe pollution control regulations.

Special "live" seals are available on request.

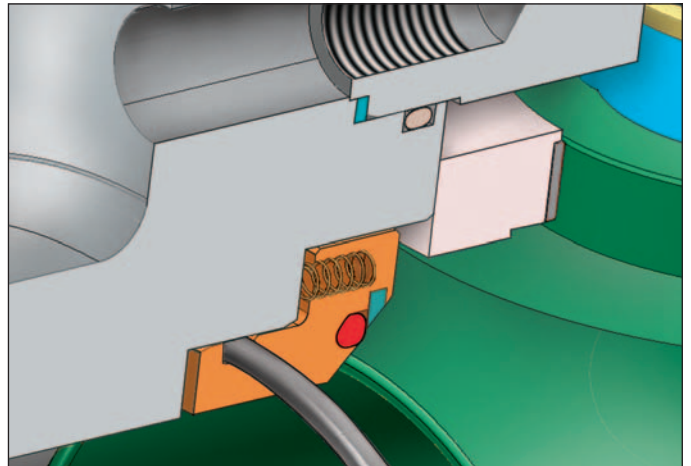
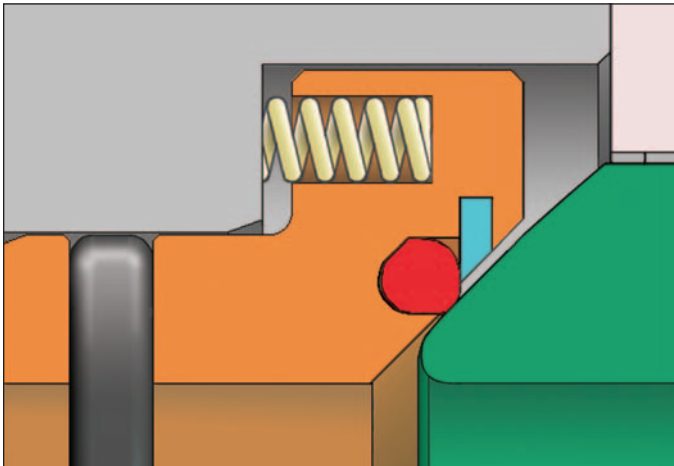
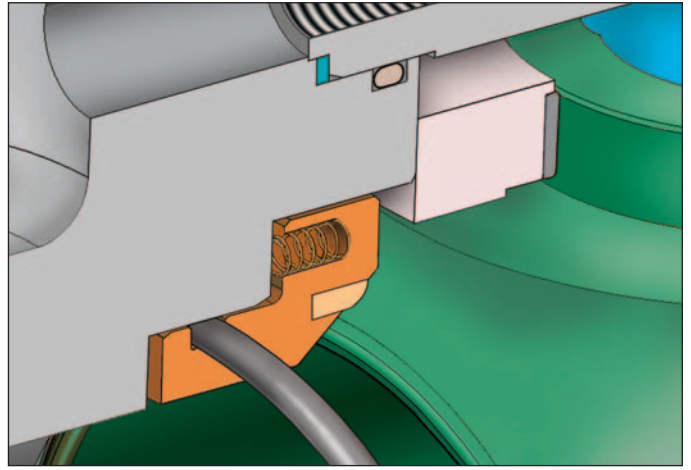
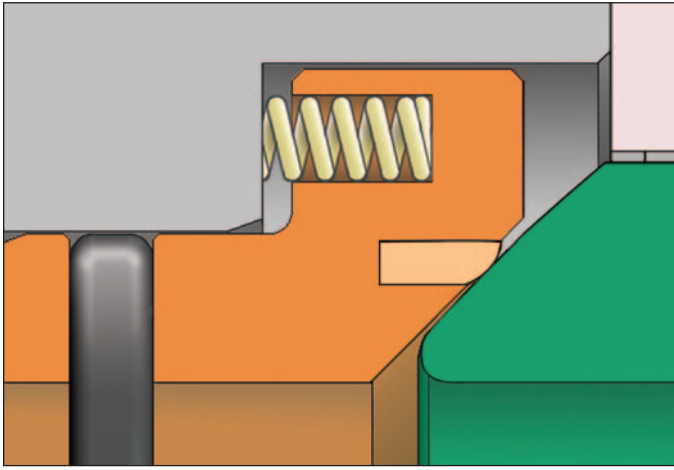
DOUBLE BLOCK & BLEED

The double block and bleed feature, both with the ball in the fully closed or fully open position, is a standard feature.

VELAN TRUNNION-MOUNTED BALL VALVE DESIGN FEATURES

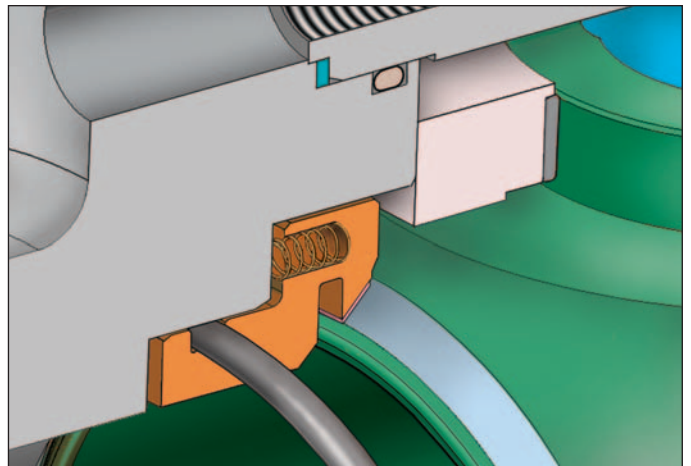
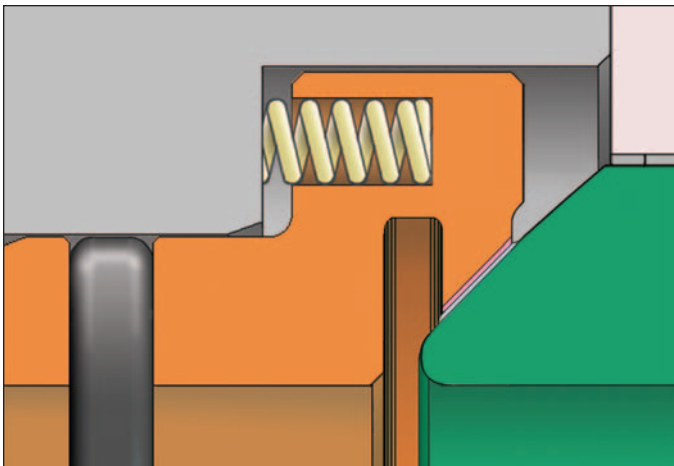
SOFT-SEATED VALVES

In valves designed for standard service, a resilient material is inserted into the metal seat holder to provide a soft seating action in addition to the metal to metal seating between the ball and the seat rings.



METAL-SEATED VALVES

Valves designed for abrasive service or for operation in temperatures that prohibit the use of a resilient material have seating action provided by the metal to metal contact between the ball and the seat rings. Seating faces are hardfaced.



VELAN TRUNNION-MOUNTED BALL VALVE DESIGN FEATURES

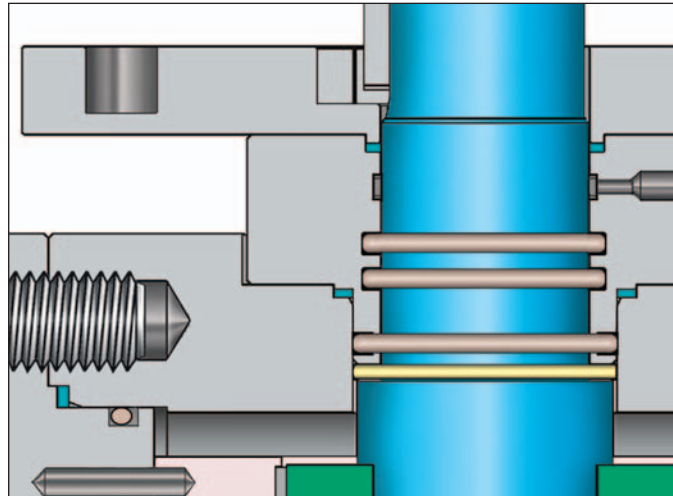
STEM SEALING

Two O-rings and one graphite gasket, retained by the gland bushing, ensure the stem seal.

An emergency sealant injection port is located between the upper O-rings and the graphite gasket.

The graphite gasket can be replaced while the valve is under pressure and with the ball in any position. This is done by removing the gland plate, after having released through the grease-injection fitting hole, any pressure that may exist between upper O-ring and the graphite gasket.

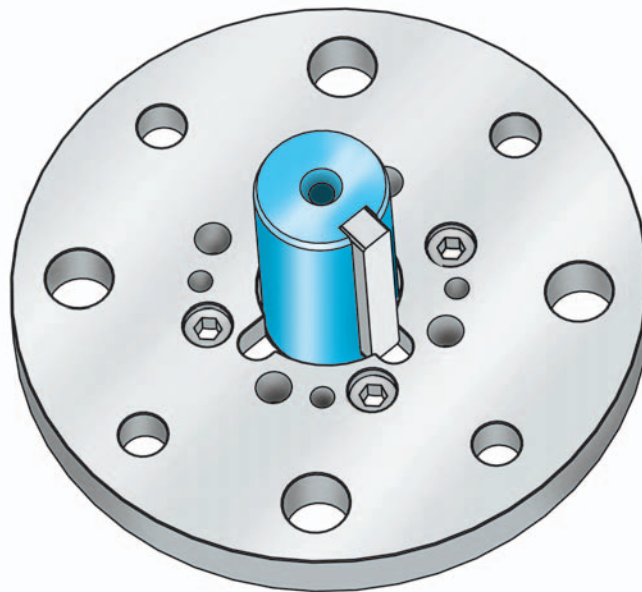
The stem seals can be replaced with the valve under pressure, when the ball is in the fully open or fully closed position, and the body cavity overpressure has been released to the atmosphere.



BODY SEALING

The double sealing action of O-rings and graphite gaskets in all the static joints of the body components ensures zero leakage.

O-rings can be replaced by lip-seal rings and/or graphite gaskets for special services.



BALL SEAT ALIGNMENT

Mechanical stops ensure control over ball rotation and permit accurate mounting of actuators on valves in-line.

ACTUATION

Hand operated valves are supplied either with a lever or gear operator.

The use of wrench is limited to valves equal or smaller than:

- 4" – Class 150
- 4" – Class 300
- 3" – Class 600
- 3" – Class 900
- 2" – Class 1500
- 1" – Class 2500

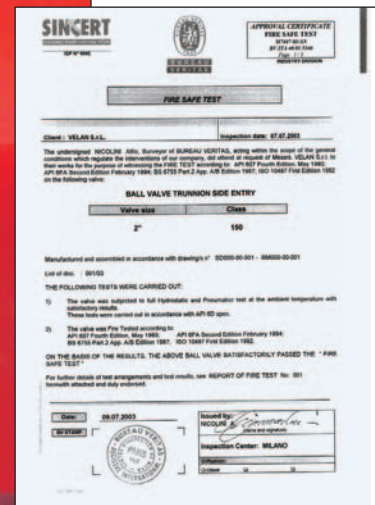
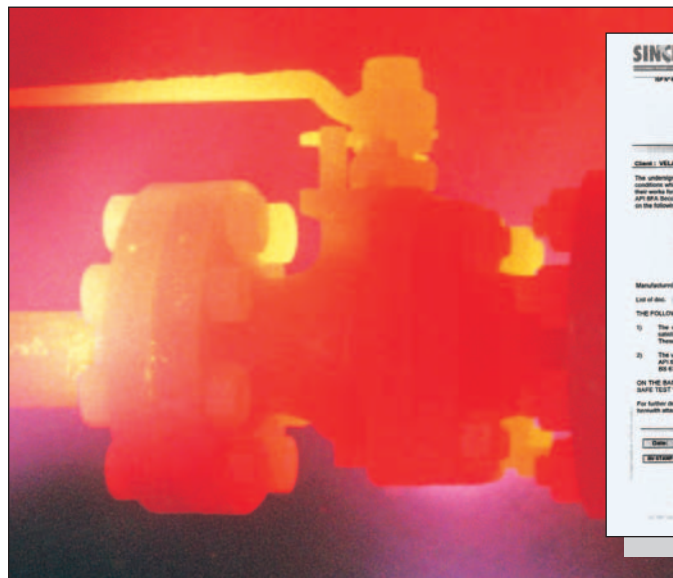
Actuated valves can be supplied with:

- Electric Actuators
- Pneumatic Actuators
- Hydraulic Actuators
- Gas over Oil Actuators

Gear operators can be easily removed in-service and replaced with actuators.

FIRE SAFE

Velan trunnion-mounted ball valves are designed and certified Fire Safe to API 6FA, API 607, BS 6755 Part 2.



DESIGN FEATURES

EMERGENCY SEALANT INJECTION

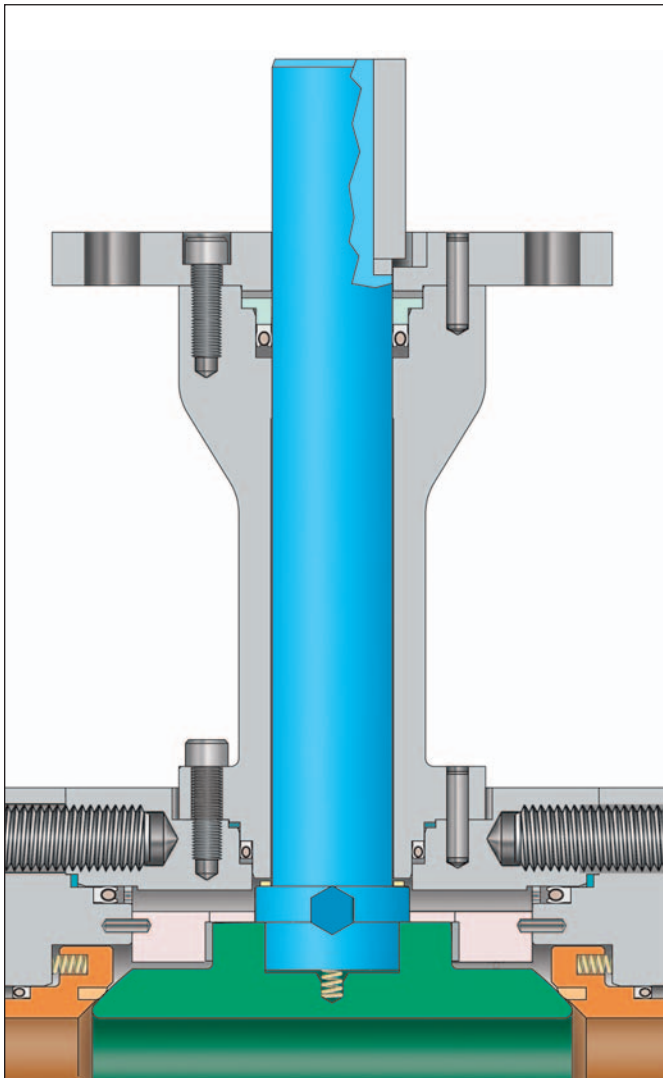
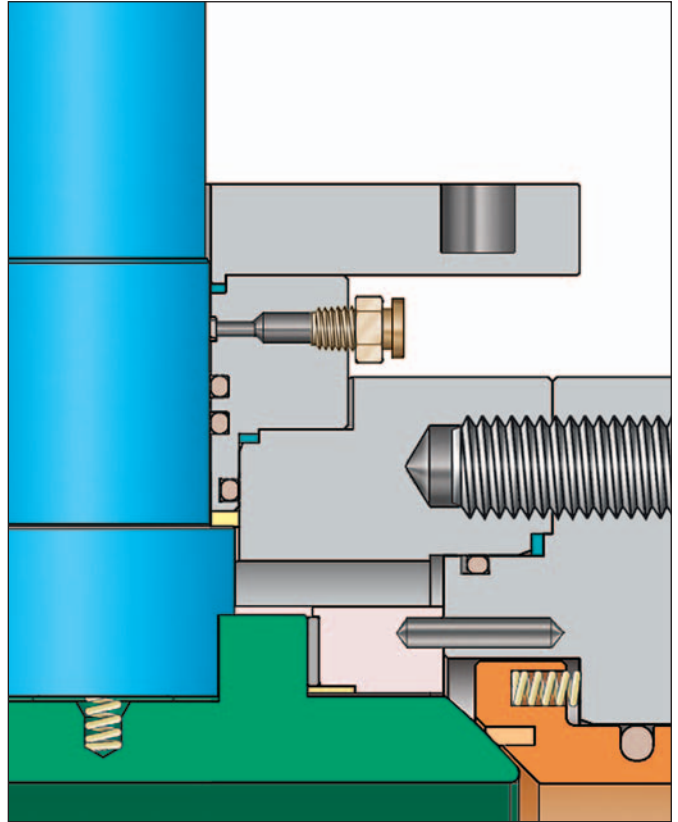
Each valve has a port for sealant injection in the stem seals area and an option for an emergency sealant injection feature in the seating area.

The emergency sealant injection feature in the seating area is available on request for valves of at least 6" nominal size.

EXTENDED BONNET

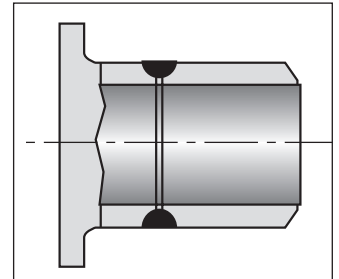
Valve designs are available with extended bonnets for applications in extreme temperature service.

Extended bonnets are recommended for service at temperatures below -50°C or above 220°C.



TRANSITION PUPS

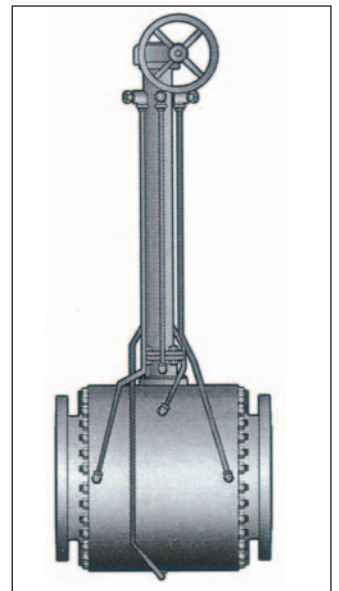
Transition pups are supplied on request for welded end valves.



EXTENDED STEM

Valves installed underground or in remote locations can be operated with an optional extended stem.

All the drain, vent and emergency sealant connections can be operated using extended connecting pipes firmly attached to the stem protective cover.



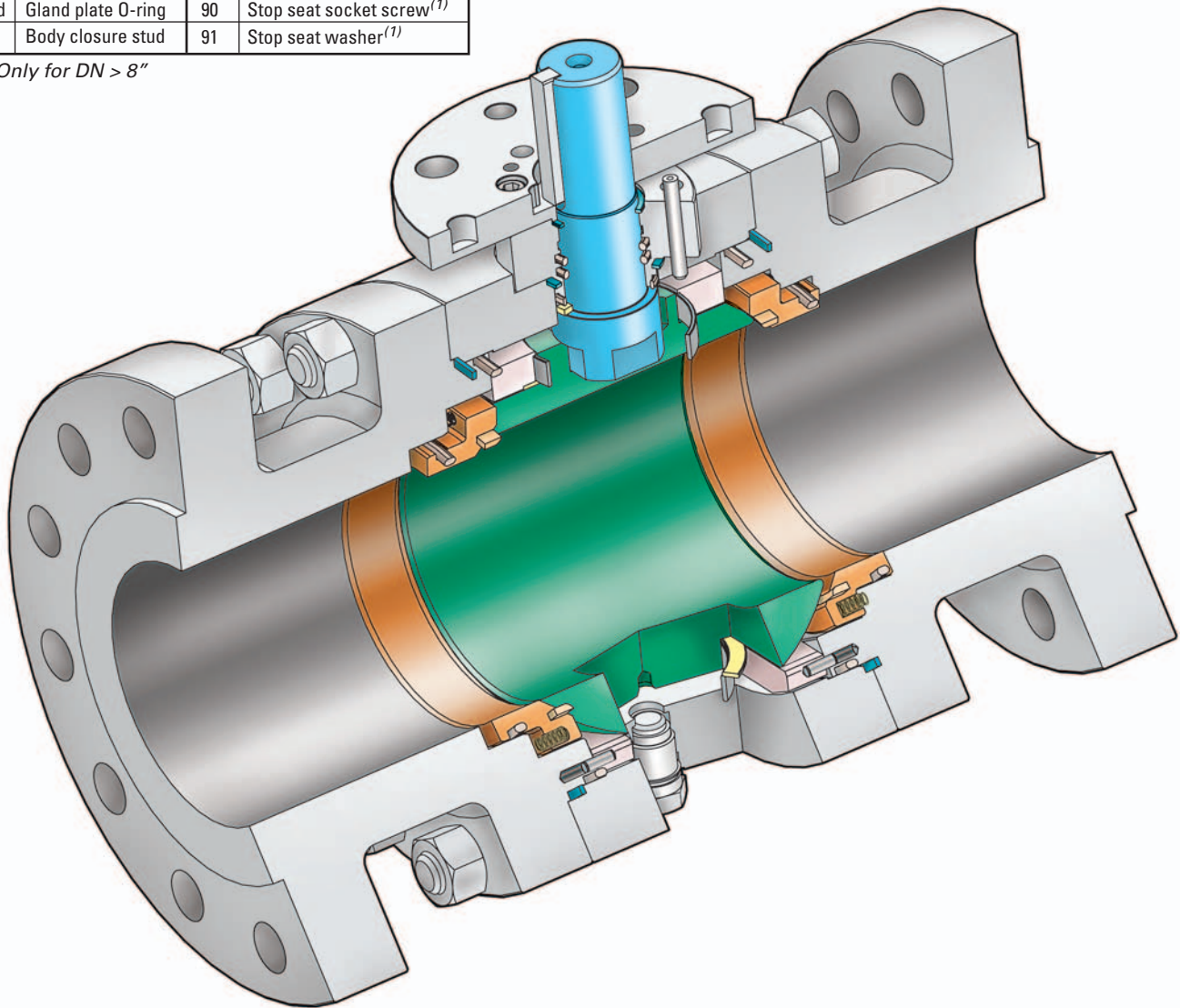
BOLTED BODY SIDE-ENTRY

PARTS LIST			
1	Body	13	Body closure nut
2	Closure	14	Socket screw
3	Ball	15	Spring
4	Seat	15a	Antistatic spring
5	Stem	16	Seat greaser
6	Bearing retainer	17	Check valve
7	Gland plate	18	Stem greaser
8	Operator flange	19	Vent bleeder valve
9	Stem key	20	Drain plug
10	Body gasket	21	Ball bushing
10a	Stem gasket	22	Stem thrust washer
10b	Gland plate gasket	23	Ball thrust washer
11	Body O-ring	24	Pin
11a	Seat O-ring	24a	Pin
11b	Seat O-ring	30	Lifting plug
11c	Stem O-ring	31	Valve support
11d	Gland plate O-ring	90	Stop seat socket screw ⁽¹⁾
12	Body closure stud	91	Stop seat washer ⁽¹⁾

RECOMMENDED SPARE PARTS

FOR START UP		FOR MAINTENANCE	
-		4	Seat
10	Bonnet gasket		
10a	Stem gasket		
10b	Gland plate gasket		
11	Bonnet O-ring		
11a	Seat O-ring		
11b	Seat O-ring		
11c	Stem O-ring		
11d	Gland plate O-ring		

(1) Only for DN > 8"



WELDED BODY

PARTS LIST

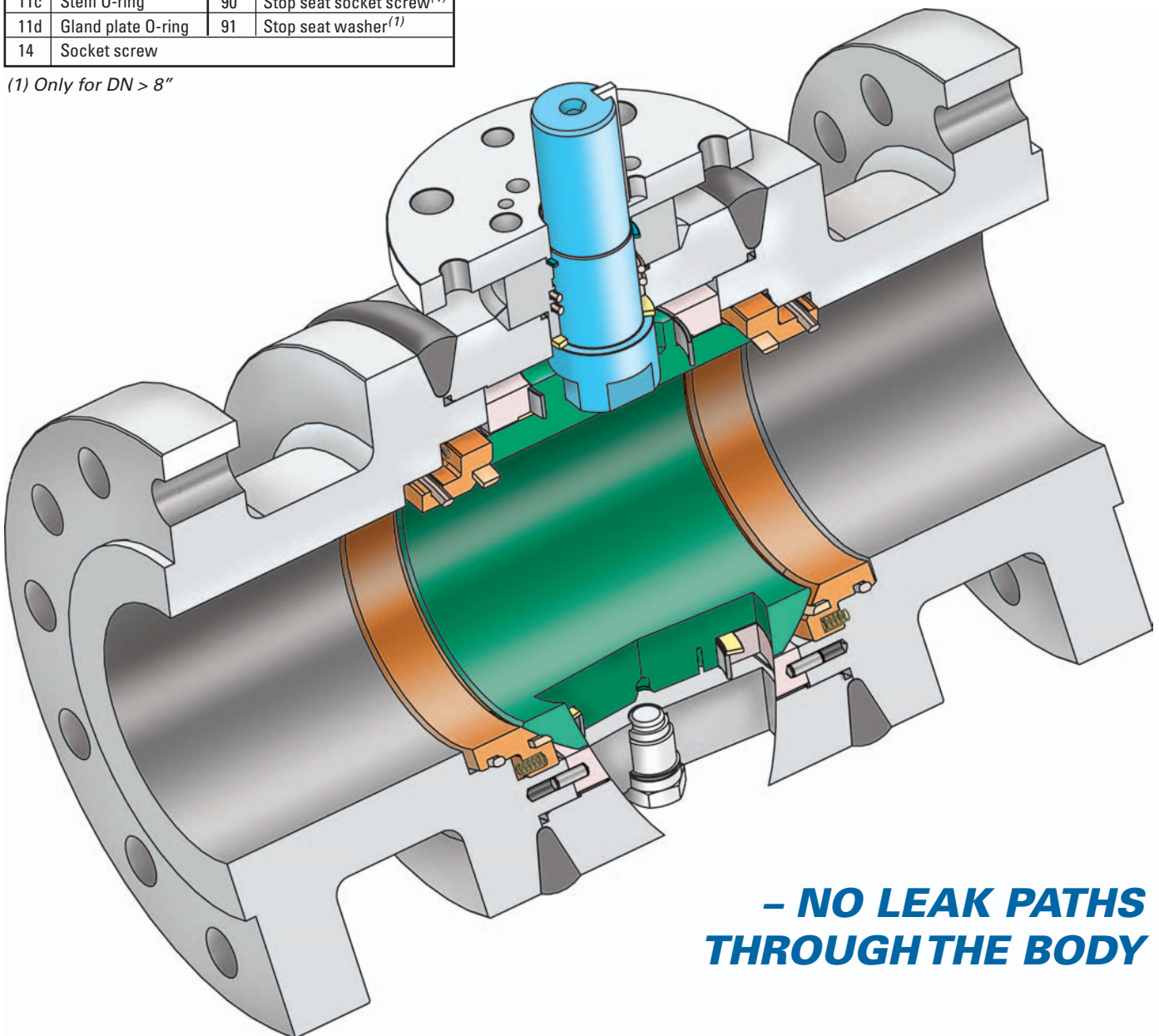
1	Body	15	Spring
2	Closure	15a	Antistatic spring
3	Ball	16	Seat greaser
4	Seat	17	Check valve
5	Stem	18	Stem greaser
6	Bearing retainer	19	Vent bleeder valve
7	Gland plate	20	Drain plug
8	Operator flange	21	Ball bushing
9	Stem key	22	Stem thrust washer
10	Body gasket	23	Ball thrust washer
10a	Stem gasket	24	Pin
10b	Gland plate gasket	24a	Pin
11a	Seat O-ring	30	Lifting plug
11b	Seat O-ring	31	Valve support
11c	Stem O-ring	90	Stop seat socket screw ⁽¹⁾
11d	Gland plate O-ring	91	Stop seat washer ⁽¹⁾
14	Socket screw		

RECOMMENDED SPARE PARTS

FOR START UP AND MAINTENANCE

10a	Stem gasket
-----	-------------

(1) Only for DN > 8"



**- NO LEAK PATHS
THROUGH THE BODY**

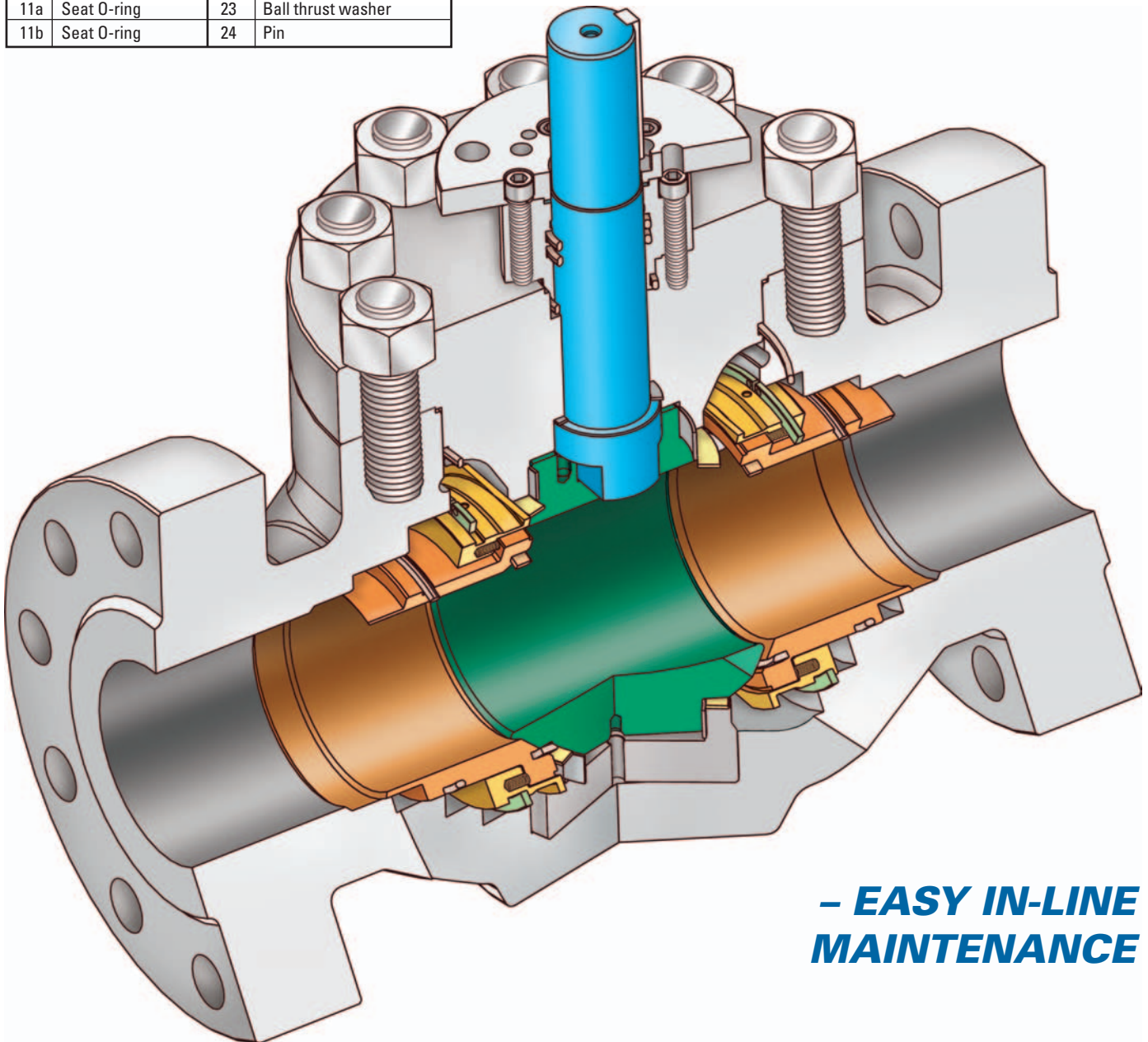
TOP-ENTRY

PARTS LIST

1	Body	11c	Stem O-ring
2	Bonnet	11d	Gland plate O-ring
3	Ball	12	Body bonnet stud
4	Seat	13	Body bonnet nut
4a	Spacer	14	Socket screw
5	Stem	15	Spring
6	Bearing retainer	15a	Antistatic spring
7	Gland plate	16	Seat greaser
8	Operator flange	17	Check valve
9	Stem key	18	Stem greaser
10	Bonnet gasket	19	Vent bleeder valve
10a	Stem gasket	20	Drain plug
10b	Gland plate gasket	21	Ball bushing
11	Bonnet O-ring	22	Stem thrust washer
11a	Seat O-ring	23	Ball thrust washer
11b	Seat O-ring	24	Pin

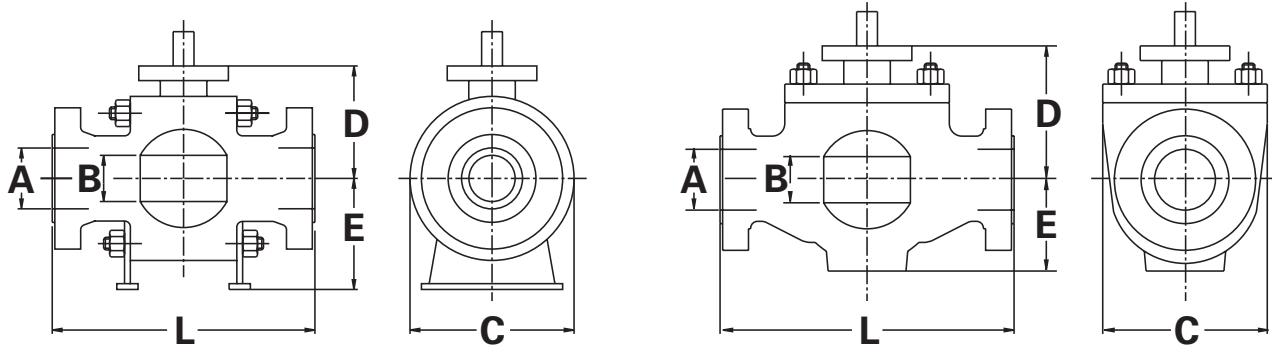
RECOMMENDED SPARE PARTS

FOR START UP		FOR MAINTENANCE	
	–	4	Seat
10	Bonnet gasket		
10a	Stem gasket		
10b	Gland plate gasket		
11	Bonnet O-ring		
11a	Seat O-ring		
11b	Seat O-ring		
11c	Stem O-ring		
11d	Gland plate O-ring		



**– EASY IN-LINE
MAINTENANCE**

DIMENSIONS & WEIGHTS



ASME CLASS 150 FULL BORE

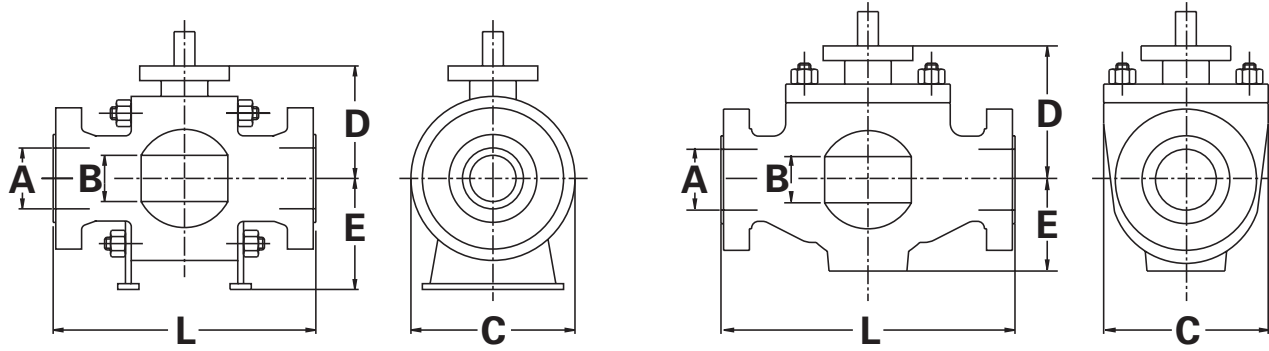
ALL TYPES			SIDE-ENTRY							WELDED BODY						TOP-ENTRY					
SIZE in/mm	A	B	L-RF	L-WE	C	D	E	WEIGHT lb/kg*	L-RF	L-WE	C	D	E	WEIGHT lb/kg*	L-RF	L-WE	C	D	E	WEIGHT lb/kg*	
2 50	1.93 49	1.93 49	7.00 178	8.50 216	6.02 153	4.17 106	4.02 102	59 27	7 178	8.5 216	6.02 153	4.17 106	4.02 102	(1)	11.5 292	11.5 292	7.09 180	8.15 207	3.35 85	66 30	
3 80	2.91 74	2.91 74	8.00 203	11.13 283	7.52 191	6.18 157	4.96 126	119 54	8 203	11.13 283	7.52 191	6.18 157	4.96 126	(1)	14 356	14 356	9.06 230	8.78 223	4.49 114	125.4 57	
4 100	3.94 100	3.94 100	9 229	12 305	9.13 232	7.80 198	6.42 163	196 89	9 229	12 305	9.13 232	7.80 198	6.42 163	(1)	17 432	17 432	11.10 282	11.02 280	5.51 140	220 100	
6 150	5.91 150	5.91 150	15.5 394	18 457	12.09 307	9.72 247	7.36 187	352 160	15.5 394	18 457	12.09 307	9.72 247	7.36 187	(1)	22 559	22 559	12.72 323	10.83 275	8.62 219	473 215	
8 200	7.91 201	7.91 201	18 457	20.5 521	15.43 392	11.02 280	8.82 224	557 253	18 457	20.5 521	15.43 392	11.02 280	8.82 224	(1)	26 660	26 660	15.94 405	12.64 321	10.43 265	895.4 407	
10 250	9.92 252	9.92 252	21 533	22 559	18.31 465	12.60 320	10.94 278	851 387	21 533	22 559	18.31 465	12.60 320	10.94 278	(1)	31 787	31 787	19.29 490	13.98 355	12.40 315	1232 560	
12 300	11.93 303	11.93 303	24 610	25 635	21.38 543	13.27 337	12.05 306	1230 559	24 610	25 635	21.38 543	13.27 337	12.05 306	(1)	33 838	33 838	22.24 565	18.50 470	15.94 405	1562 710	
14 350	13.15 334	13.15 334	27 686	30 762	23.94 608	14.72 374	13.15 334	1672 760	27 686	30 762	23.94 608	14.72 374	13.15 334	(1)	35 889	35 889	25.98 660	17.91 455	17.01 432	1672 760	
16 400	15.16 385	15.16 385	30 762	33 838	26.57 675	16.06 408	14.09 358	2244 1020	30 762	33 838	26.57 675	16.06 408	14.09 358	(1)	39 991	39 991	27.56 700	18.11 460	17.76 451	2420 1100	
18 450	17.17 436	17.17 436	34 864	36 914	25.00 635	17.28 439	15.35 390	2673 1215	34 864	36 914	25.00 635	17.28 439	15.35 390	(1)	43 1092	43 1092	29.41 747	19.80 503	18.58 472	3326.4 1512	
20 500	19.17 487	19.17 487	36 914	39 991	33.43 849	19.37 492	17.09 434	3945 1793	36 914	39 991	33.43 849	19.37 492	17.09 434	(1)	47 1194	47 1194	33.43 849	22.05 560	22.05 560	4246 1930	
22 550	21.18 538	21.18 538	40 991	43 1092	36.81 935	20.79 528	18.78 477	5190 2359	40 991	43 1092	36.81 935	20.79 528	18.78 477	(1)	51 1296	51 1296	36.81 935	22.24 565	23.27 591	6050 2750	
24 600	23.19 589	23.19 589	42 1067	45 1143	39.57 1005	23.15 588	20.59 523	6818 3099	42 1067	45 1143	39.57 1005	23.15 588	20.59 523	(1)	55 1397	55 1397	39.57 1005	24.02 610	23.62 600	7040 3200	
26 650	24.92 633	24.92 633	45 1143	49 1245	41.97 1066	24.69 627	22.20 564	8107 3685	45 1143	49 1245	41.97 1066	24.69 627	22.20 564	(1)	57 1448	57 1448	41.97 1066	26.38 670	24.88 632	8360 3800	
28 700	26.93 684	26.93 684	49 1244	53 1347	44.72 1136	25.35 644	25.91 658	9878 4490	49 1244	53 1347	44.72 1136	25.35 644	25.91 658	(1)	61 1549	61 1549	44.72 1136	28.74 730	27.95 710	10120 4600	
30 750	28.94 735	28.94 735	51 1295	55 1397	38.78 985	27.20 691	27.72 704	11473 5215	51 1295	55 1397	38.78 985	27.20 691	27.72 704	(1)	65 1651	65 1651	49.57 1259	31.50 800	31.10 790	12386 5630	
32 800	30.67 779	30.67 779	54 1371	60 1524	51.18 1300	29.21 742	29.37 746	14960 6800	54 1371	60 1524	51.18 1300	29.21 742	29.37 746	(1)	70 1778	70 1778	51.18 1300	33.31 846	32.68 830	15587 7085	
34 850	32.68 830	32.68 830	58 1473	64 1626	53.94 1370	29.88 759	30.43 773	17160 7800	58 1473	64 1626	53.94 1370	29.88 759	30.43 773	(1)	76 1930	76 1930	55.12 1400	34.25 870	34.65 880	17160 7800	
36 900	34.41 874	34.41 874	60 1524	68 1728	56.30 1430	31.97 812	31.77 807	19360 8800	60 1524	68 1728	56.30 1430	31.97 812	31.77 807	(1)	82 2083	82 2083	56.61 1438	36.81 935	36.73 933	20020 9100	
40 1000	38.43 976	38.43 976	69 1753	77 1956	62.80 1595	35.43 900	35.35 898	27632 12560	69 1753	77 1956	62.80 1595	35.43 900	35.35 898	(1)	92 2337	92 2337	64.96 1650	39.84 1012	40.55 1030	28138 12790	
42 1050	40.16 1020	40.16 1020	72 1855	82 2083	64.96 1650	37.13 943	36.89 937	31416 14280	72 1855	82 2083	64.96 1650	37.13 943	36.89 937	(1)	96 2437	96 2437	66.93 1700	42.13 1070	41.93 1065	33220 15100	
48 1200	45.91 1166	45.91 1166	80 2134	94 2388	75.59 1920	43.19 1097	41.97 1066	48180 21900	80 2134	94 2388	75.59 1920	43.19 1097	41.97 1066	(1)	100 2540	100 2540	76.77 1950	46.85 1190	48.43 1230	49720 22600	
56 1400	53.54 1360	53.54 1360	97.99 2489	97.99 2489	88.98 2260	51.26 1302	49.33 1253	70520 34100	97.99 2489	97.99 2489	88.98 2260	51.26 1302	49.33 1253	(1)	TBA TBA	TBA TBA	TBA TBA	TBA TBA	TBA TBA	TBA TBA	

* Weight figures are relevant to flanged end valves.

(1) Please consult the factory.

Note: For dimensions & weights in larger sizes consult the factory.
Dimensions C, D, E and weights are subject to change without notice.

DIMENSIONS & WEIGHTS



ASME CLASS 150 REDUCED BORE

ALL TYPES		SIDE-ENTRY							WELDED BODY							TOP-ENTRY				
SIZE in/mm	A	B	L-RF	L-WE	C	D	E	WEIGHT lb/kg*	L-RF	L-WE	C	D	E	WEIGHT lb/kg*	L-RF	L-WE	C	D	E	WEIGHT lb/kg*
2 × 1/2 50 × 40	1.93 49	1.50 38	7 178	8.5 216	5.98 152	3.70 94	3.86 98	55 25	7 178	8.5 216	5.98 152	3.70 94	3.86 98	(1)	11.50 292	11.50 292	6.89 175	8.15 207	3.35 85	55 25
3 × 2 80 × 50	2.91 74	1.93 49	11.13 203	3.03 283	7.52 191	4.17 106	3.94 100	66 30	11.13 203	3.03 283	7.52 191	4.17 106	3.94 100	(1)	14.02 356	14.02 356	7.52 191	8.27 210	3.43 87	74.8 34
4 × 3 100 × 80	3.94 100	2.91 74	12 229	4.02 305	9.02 229	6.06 154	5.00 127	132 60	12 229	4.02 305	9.02 229	6.06 154	5.00 127	(1)	17.01 432	17.01 432	9.06 230	8.86 225	4.33 110	154 70
6 × 4 150 × 100	5.91 150	3.94 100	15.5 394	18 457	10.98 279	7.80 198	6.42 163	220 100	15.5 394	18 457	10.98 279	7.80 198	6.42 163	(1)	22.01 559	22.01 559	10.98 279	10.63 270	5.63 143	286 130
8 × 6 200 × 150	7.91 201	5.91 150	18 457	20.5 521	13.50 343	9.92 252	7.36 187	407 185	18 457	20.5 521	13.50 343	9.92 252	7.36 187	(1)	25.98 660	25.98 660	13.50 343	10.83 275	8.46 215	550 250
10 × 8 250 × 200	9.92 252	7.91 201	21 533	22 559	15.98 406	11.02 280	8.74 222	640 291	21 533	22 559	15.98 406	11.02 280	8.74 222	(1)	30.98 787	30.98 787	15.98 406	12.60 320	10.31 262	1001 455
12 × 10 300 × 250	11.93 303	9.92 252	24 610	25 635	19.02 483	12.72 323	11.02 280	1016 462	24 610	25 635	19.02 483	12.72 323	11.02 280	(1)	32.99 838	32.99 838	19.09 485	13.98 355	12.20 310	1067 485
14 × 10 350 × 250	13.15 334	9.92 252	27 686	30 762	21.06 535	12.76 324	10.83 275	1140 518	27 686	30 762	21.06 535	12.76 324	10.83 275	(1)	35.00 889	35.00 889	21.06 535	13.98 355	12.20 310	1463 665
14 × 12 350 × 300	13.15 334	11.93 303	27 686	30 762	21.06 535	13.46 342	11.81 300	1342 610	27 686	30 762	21.06 535	13.46 342	11.81 300	(1)	35.00 889	35.00 889	21.06 535	18.70 475	15.55 395	1738 790
16 × 12 400 × 300	15.16 385	11.93 303	30 762	33 838	23.43 595	13.62 346	11.93 303	1536 698	30 762	33 838	23.43 595	13.62 346	11.93 303	(1)	39.02 991	39.02 991	23.43 595	18.70 475	15.55 395	2068 940
16 × 14 400 × 350	15.16 385	13.15 334	30 762	33 838	23.43 595	14.57 370	13.19 335	1804 820	30 762	33 838	23.43 595	14.57 370	13.19 335	(1)	39.02 991	39.02 991	25.98 660	17.72 450	16.93 430	1997.6 908
18 × 16 450 × 400	17.17 436	15.16 385	34 864	36 914	25.00 635	16.34 415	13.70 348	2332 1060	34 864	36 914	25.00 635	16.34 415	13.70 348	(1)	42.99 1092	42.99 1092	27.56 700	18.11 460	17.72 450	2745.6 1248
20 × 16 500 × 400	19.17 487	15.16 385	36 914	39 991	27.56 700	16.34 415	13.78 350	2420 1100	36 914	39 991	27.56 700	16.34 415	13.78 350	(1)	47.01 1194	47.01 1194	27.56 700	18.11 460	17.72 450	3392.4 1542
20 × 18 500 × 450	19.17 487	17.17 436	36 914	39 991	27.56 700	17.28 439	15.35 390	2618 1190	36 914	39 991	27.56 700	17.28 439	15.35 390	(1)	47.01 1194	47.01 1194	29.33 745	19.49 495	18.50 470	3828 1740
24 × 20 600 × 500	23.19 589	19.17 487	42 1067	45 1143	32.09 815	19.29 490	17.13 435	4334 1970	42 1067	45 1143	32.09 815	19.29 490	17.13 435	(1)	55.00 1397	55.00 1397	34.25 870	21.65 550	22.83 580	5231.6 2378
30 × 24 750 × 600	28.94 735	23.19 589	51 1295	55 1397	38.78 985	23.15 588	20.28 515	7150 3250	51 1295	55 1397	38.78 985	23.15 588	20.28 515	(1)	65.00 1651	65.00 1651	40.16 1020	23.23 590	23.31 592	8817.6 4008
36 × 30 900 × 750	34.41 874	28.94 735	60 1524	68 1728	46.06 1170	27.17 690	27.56 700	13891 6314	60 1524	68 1728	46.06 1170	27.17 690	27.56 700	(1)	82.01 2083	82.01 2083	49.21 1250	31.30 795	30.12 765	15505.6 7048

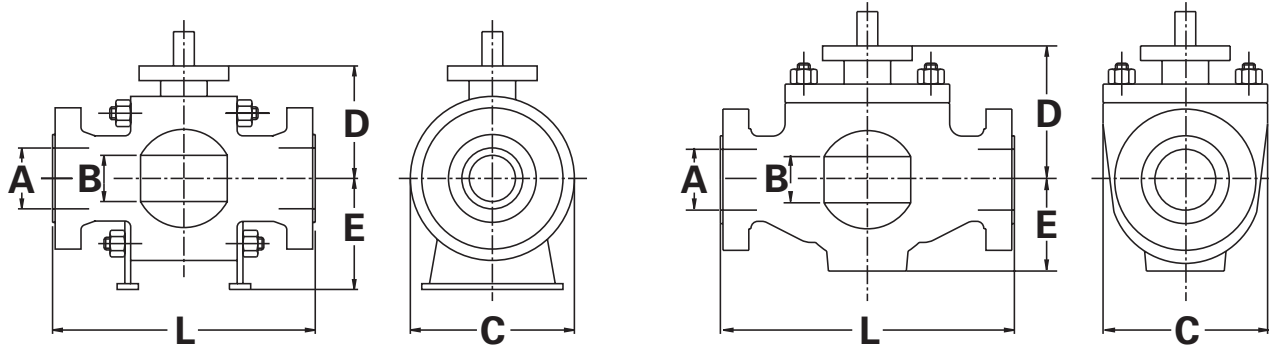
* Weight figures are relevant to flanged end valves.

(1) Please consult the factory.

Note: For dimensions & weights in larger sizes consult the factory.

Dimensions C, D, E and weights are subject to change without notice.

DIMENSIONS & WEIGHTS



ASME CLASS 300 FULL BORE

ALL TYPES			SIDE-ENTRY						WELDED BODY						TOP-ENTRY					
SIZE in/mm	A	B	L-RF	L-WE	C	D	E	WEIGHT lb/kg*	L-RF	L-WE	C	D	E	WEIGHT lb/kg*	L-RF	L-WE	C	D	E	WEIGHT lb/kg*
2	1.93	1.93	8.5	8.5	6.5	3.9	3.7	59	8.5	8.5	6.5	3.9	3.7	(1)	11.50	11.50	7.28	8.31	3.54	79
50	49	49	216	216	165	100	95	27	216	216	165	100	95	(1)	292	292	185	211	90	36
3	2.91	2.91	11.1	11.1	8.3	5.9	4.7	121	11.1	11.1	8.3	5.9	4.7	(1)	14.02	14.02	9.25	8.90	4.69	139
80	74	74	283	283	210	150	120	55	283	283	210	150	120	(1)	356	356	235	226	119	63
4	3.94	3.94	12.0	12.0	10.0	7.9	6.3	202	12.0	12.0	10.0	7.9	6.3	(1)	17.01	17.01	11.30	11.26	5.71	233
100	100	100	305	305	254	200	160	92	305	305	254	200	160	(1)	432	432	287	286	145	106
6	5.91	5.91	15.9	18.0	12.5	9.6	7.9	400	15.9	18.0	12.5	9.6	7.9	(1)	22.01	22.01	12.99	11.10	8.82	486
150	150	150	403	457	318	245	200	182	403	457	318	245	200	(1)	559	559	330	282	224	221
8	7.91	7.91	19.8	20.5	15.2	10.8	9.1	612	19.8	20.5	15.2	10.8	9.1	(1)	25.98	25.98	16.14	12.80	10.63	906
200	201	201	502	521	385	275	230	278	502	521	385	275	230	(1)	660	660	410	325	270	412
10	9.92	9.92	22.4	22.0	18.5	13.0	11.6	1100	22.4	22.0	18.5	13.0	11.6	(1)	30.98	30.98	19.69	14.17	12.60	1245
250	252	252	568	559	470	330	295	500	568	559	470	330	295	(1)	787	787	500	360	320	566
12	11.93	11.93	25.5	25.0	21.3	14.0	13.0	1613	25.5	25.0	21.3	14.0	13.0	(1)	32.99	32.99	22.44	18.70	16.14	1573
300	303	303	648	635	540	355	330	733	648	635	540	355	330	(1)	838	838	570	475	410	715
14	13.15	13.15	30.0	30.0	24.8	15.4	13.6	2264	30.0	30.0	24.8	15.4	13.6	(1)	35.00	35.00	26.18	18.11	17.20	1685
350	334	334	762	762	630	390	345	1029	762	762	630	390	345	(1)	889	889	665	460	437	766
16	15.16	15.16	33.0	33.0	27.3	16.9	15.4	3120	33.0	33.0	27.3	16.9	15.4	(1)	39.02	39.02	27.83	18.31	17.95	2433
400	385	385	838	838	693	430	390	1418	838	838	693	430	390	(1)	991	991	707	465	456	1106
18	17.17	17.17	36.0	36.0	30.3	17.9	16.1	3502	36.0	36.0	30.3	17.9	16.1	(1)	42.99	42.99	29.61	20.00	18.78	3342
450	436	436	914	914	770	455	410	1592	914	914	770	455	410	(1)	1092	1092	752	508	477	1519
20	19.17	19.17	39.0	39.0	33.5	19.7	18.3	4829	39.0	39.0	33.5	19.7	18.3	(1)	47.01	47.01	33.66	22.24	22.24	4259
500	487	487	991	991	850	500	465	2195	991	991	850	500	465	(1)	1194	1194	855	565	565	1936
22	21.18	21.18	43.0	43.0	37.0	20.7	18.9	6134	43.0	43.0	37.0	20.7	18.9	(1)	51.02	51.02	37.09	22.52	23.46	6063
550	538	538	1092	1092	940	525	480	2788	1092	1092	940	525	480	(1)	1296	1296	942	572	596	2756
24	23.19	23.19	45.0	45.0	40.2	23.2	21.5	7612	45.0	45.0	40.2	23.2	21.5	(1)	55.00	55.00	39.76	24.29	23.82	7058
600	589	589	1143	1143	1020	590	545	3460	1143	1143	1020	590	545	(1)	1397	1397	1010	617	605	3208
26	24.92	24.92	49.0	49.0	42.5	24.8	22.8	10252	49.0	49.0	42.5	24.8	22.8	(1)	57.01	57.01	42.20	26.69	25.08	8378
650	633	633	1245	1245	1080	630	580	4660	1245	1245	1080	630	580	(1)	1448	1448	1072	678	637	3808
28	26.93	26.93	53.0	53.0	45.3	25.2	26.2	12694	53.0	53.0	45.3	25.2	26.2	(1)	60.98	60.98	44.92	29.06	28.15	10135
700	684	684	1346	1346	1150	640	665	5770	1346	1346	1150	640	665	(1)	1549	1549	1141	738	715	4607
30	28.94	28.94	55.0	55.0	48.6	27.6	28.7	14498	55.0	55.0	48.6	27.6	28.7	(1)	65.00	65.00	49.80	31.93	31.30	12404
750	735	735	1397	1397	1235	700	730	6590	1397	1397	1235	700	730	(1)	1651	1651	1265	811	795	5638
32	30.67	30.67	60.0	60.0	52.0	29.3	30.1	17450	60.0	60.0	52.0	29.3	30.1	(1)	70.00	70.00	51.65	33.46	32.87	15602
800	779	779	1524	1524	1320	745	765	7932	1524	1524	1320	745	765	(1)	1778	1778	1312	850	835	7092
34	32.68	32.68	64.0	64.0	54.7	29.9	31.5	19888	64.0	64.0	54.7	29.9	31.5	(1)	75.98	75.98	55.43	34.53	34.84	17184
850	830	830	1626	1626	1390	760	800	9040	1626	1626	1390	760	800	(1)	1930	1930	1408	877	885	7811
36	34.41	34.41	68.0	68.0	56.9	31.7	32.5	22205	68.0	68.0	56.9	31.7	32.5	(1)	82.01	82.01	56.89	37.09	36.93	20046
900	874	874	1727	1727	1445	805	825	10093	1727	1727	1445	805	825	(1)	2083	2083	1445	942	938	9112
40	38.43	38.43	77.0	77.0	63.8	35.4	36.2	30305	77.0	77.0	63.8	35.4	36.2	(1)	92.01	92.01	65.47	40.16	40.79	28156
1000	976	976	1956	1956	1620	900	920	13775	1956	1956	1620	900	920	(1)	2337	2337	1663	1020	1036	12798
42	40.16	40.16	82.0	82.0	66.3	38.1	37.4	35431	82.0	82.0	66.3	38.1	37.4	(1)	95.94	95.94	67.52	42.56	42.13	33249
1050	1020	1020	2083	2083	1685	968	950	16105	2083	2083	1685	968	950	(1)	2437	2437	1715	1081	1070	15113
48	45.91	45.91	85.4	85.4	57.5	43.3	43.3	52932	85.4	85.4	57.5	43.3	43.3	(1)	100.00	100.00	77.36	47.28	48.66	49751
1200	1166	1166	2170	2170	1460	1100	1100	24060	2170	2170	1460	1100	1100	(1)	2540	2540	1965	1201	1236	22614
56	53.54	53.54	108.0	108.0	89.6	50.6	50.0	83941	108.0	108.0	89.6	50.6	50.0	(1)	(1)	(1)	(1)	(1)	(1)	(1)
1400	1360	1360	2743	2743	2275	1285	1270	38155	2743	2743	2275	1285	1270	(1)	(1)	(1)	(1)	(1)	(1)	(1)

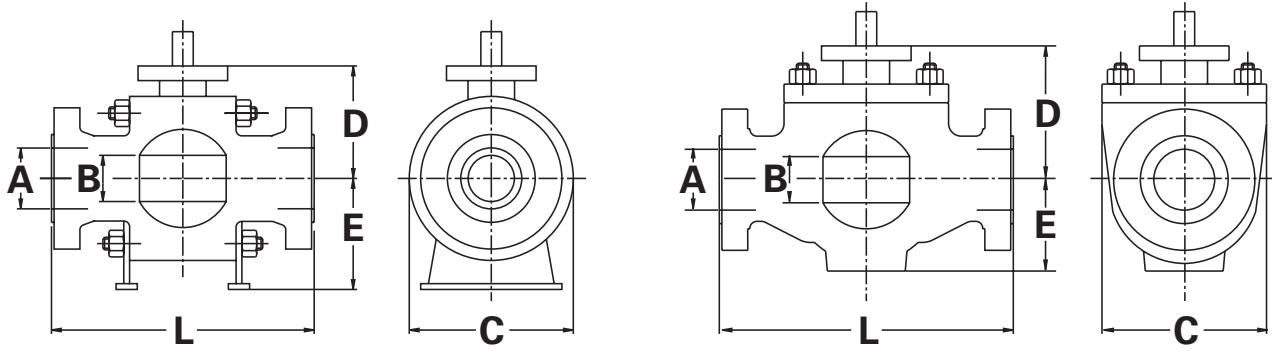
* Weight figures are relevant to flanged end valves.

(1) Please consult the factory.

Note: For dimensions & weights in larger sizes consult the factory.

Dimensions C, D, E and weights are subject to change without notice.

DIMENSIONS & WEIGHTS



ASME CLASS 300 REDUCED BORE

ALL TYPES			SIDE-ENTRY					WELDED BODY					TOP-ENTRY							
SIZE in/mm	A	B	L-RF	L-WE	C	D	E	WEIGHT lb/kg*	L-RF	L-WE	C	D	E	WEIGHT lb/kg*	L-RF	L-WE	C	D	E	WEIGHT lb/kg*
2 × 1½ 50 × 40	1.93 49	1.50 38	8.5 216	8.5 216	6.5 165	3.7 94	3.9 100	55 25	8.5 216	8.5 216	6.5 165	3.7 94	3.9 100	(1)	11.5 292	11.5 292	7.0 178	8.1 206	3.1 80	57.2 26
3 × 2 80 × 50	2.91 74	1.93 49	11.1 283	11.1 283	8.3 210	3.9 100	3.7 95	70.4 32	11.1 283	11.1 283	8.3 210	3.9 100	3.7 95	(1)	14.0 356	14.0 356	8.3 210	8.3 211	3.5 90	92.4 42
4 × 3 100 × 80	3.94 100	2.91 74	12.0 305	12.0 305	10.0 254	5.9 150	4.7 120	136.4 62	12.0 305	12.0 305	10.0 254	5.9 150	4.7 120	(1)	17.0 432	17.0 432	10.0 254	8.9 226	4.7 119	180.4 82
6 × 4 150 × 100	5.91 150	3.94 100	15.9 403	18.0 457	12.5 318	7.9 200	6.3 160	253 115	15.9 403	18.0 457	12.5 318	7.9 200	6.3 160	(1)	22.0 559	22.0 559	12.5 318	11.3 286	5.7 145	354.2 161
8 × 6 200 × 150	7.91 201	5.91 150	19.8 502	20.5 521	15.0 381	9.6 245	7.9 200	481.8 219	19.8 502	20.5 521	15.0 381	9.6 245	7.9 200	(1)	26.0 660	26.0 660	15.0 381	11.1 282	8.8 224	627 285
10 × 8 250 × 200	9.92 252	7.91 201	22.4 568	22.0 559	17.5 445	10.8 275	9.1 230	642.4 292	22.4 568	22.0 559	17.5 445	10.8 275	9.1 230	(1)	31.0 787	31.0 787	17.5 445	12.8 325	10.6 270	1179.2 536
12 × 10 300 × 250	11.93 303	9.92 252	25.5 648	25.0 635	20.5 520	13.0 330	11.6 295	1306.8 594	25.5 648	25.0 635	20.5 520	13.0 330	11.6 295	(1)	33.0 838	33.0 838	20.5 520	14.2 360	12.6 320	1258.4 572
14 × 10 350 × 250	13.15 334	9.92 252	30.0 762	30.0 762	23.0 585	13.0 330	11.6 295	1414.6 643	30.0 762	30.0 762	23.0 585	13.0 330	11.6 295	(1)	35.0 889	35.0 889	20.5 520	14.2 360	12.6 320	1718.2 781
14 × 12 350 × 300	13.15 334	11.93 303	30.0 762	30.0 762	23.0 585	14.0 355	13.0 330	1795.2 816	30.0 762	30.0 762	23.0 585	14.0 355	13.0 330	(1)	35.0 889	35.0 889	23.0 585	18.7 475	16.1 410	2015.2 916
16 × 12 400 × 300	15.16 385	11.93 303	33.0 838	33.0 838	25.6 650	14.0 355	13.0 330	2123 965	33.0 838	33.0 838	25.6 650	14.0 355	13.0 330	(1)	39.0 991	39.0 991	25.6 650	18.7 475	16.1 410	2402.4 1092
16 × 14 400 × 350	15.16 385	13.15 334	33.0 838	33.0 838	25.6 650	15.4 390	13.6 345	2475 1125	33.0 838	33.0 838	25.6 650	15.4 390	13.6 345	(1)	39.0 991	39.0 991	26.2 665	18.1 460	17.2 437	2409 1095
18 × 16 450 × 400	17.17 436	15.16 385	36.0 914	36.0 914	28.0 710	16.9 430	15.4 390	3504.6 1593	36.0 914	36.0 914	28.0 710	16.9 430	15.4 390	(1)	43.0 1092	43.0 1092	28.0 710	18.3 465	18.0 456	3216.4 1462
20 × 16 500 × 400	19.17 487	15.16 385	39.0 991	39.0 991	30.5 775	16.9 430	15.4 390	3658.6 1663	39.0 991	39.0 991	30.5 775	16.9 430	15.4 390	(1)	47.0 1194	47.0 1194	30.5 775	18.3 465	18.0 456	3979.8 1809
20 × 18 500 × 450	19.17 487	17.17 436	39.0 991	39.0 991	30.5 775	17.9 455	16.1 410	3942.4 1792	39.0 991	39.0 991	30.5 775	17.9 455	16.1 410	(1)	47.0 1194	47.0 1194	30.5 775	20.0 508	18.8 477	4450.6 2023
24 × 20 600 × 500	23.19 589	19.17 487	45.0 1143	45.0 1143	36.0 915	19.7 500	18.3 465	5854.2 2661	45.0 1143	45.0 1143	36.0 915	19.7 500	18.3 465	(1)	55.0 1397	55.0 1397	36.0 915	22.2 565	22.2 565	6102.8 2774
30 × 24 750 × 600	28.94 735	23.19 589	55.0 1397	55.0 1397	42.9 1090	23.2 590	21.5 545	9864.8 4484	55.0 1397	55.0 1397	42.9 1090	23.2 590	21.5 545	(1)	65.0 1651	65.0 1651	42.9 1090	24.3 617	23.8 605	10263 4665
36 × 30 900 × 750	34.41 874	28.94 735	68.0 1727	68.0 1727	50.0 1270	27.6 700	28.7 730	18002.6 8183	68.0 1727	68.0 1727	50.0 1270	27.6 700	28.7 730	(1)	82.0 2083	82.0 2083	50.0 1270	31.9 811	31.3 795	18255.6 8298

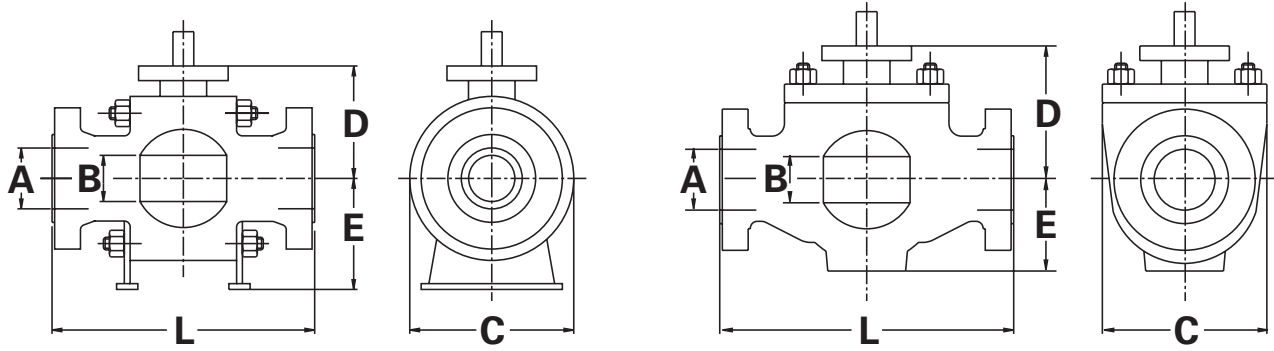
* Weight figures are relevant to flanged end valves.

(1) Please consult the factory.

Note: For dimensions & weights in larger sizes consult the factory.

Dimensions C, D, E and weights are subject to change without notice.

DIMENSIONS & WEIGHTS

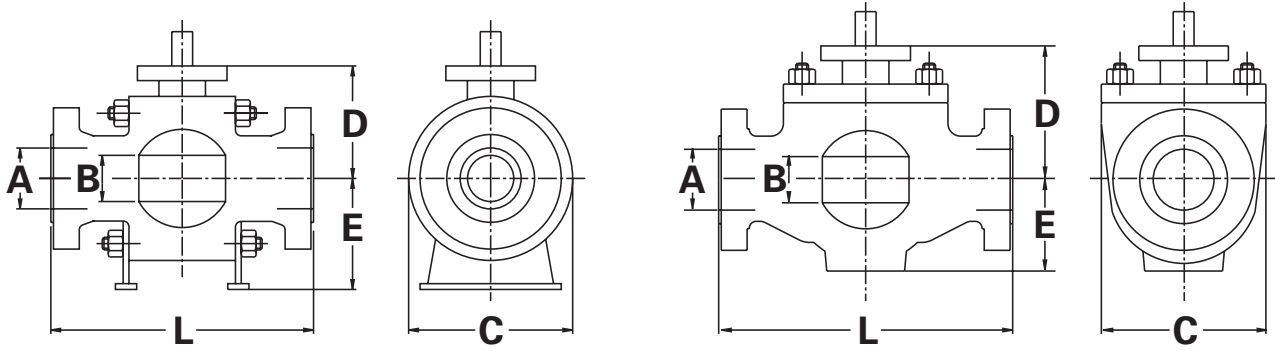


ASME CLASS 600 FULL BORE

ALL TYPES			SIDE-ENTRY							WELDED BODY							TOP-ENTRY							
SIZE in/mm	A	B	L-RF	L-RTJ	L-WE	C	D	E	WEIGHT lb/kg*	L-RF	L-RTJ	L-WE	C	D	E	WEIGHT lb/kg*	L-RF	L-RTJ	L-WE	C	D	E	WEIGHT lb/kg*	
2 50	1.93 49	1.93 49	11.5 292	11.63 295	11.5 292	6.5 165	4.0 102	3.9 98	68 31	11.5 292	11.63 295	11.5 292	6.5 165	4.0 102	3.9 98	(1)	11.50 292	11.63 295	11.50 292	7.48 190	8.46 215	3.74 95	90 41	
3 80	2.91 74	2.91 74	14.0 356	14.13 359	14.0 356	8.3 210	6.5 165	5.0 128	136 62	14.0 356	14.13 359	14.0 356	8.3 210	6.5 165	5.0 128	(1)	14.02 356	14.13 359	14.02 356	9.45 240	9.13 232	4.88 124	147 67	
4 100	3.94 100	3.94 100	17.0 432	17.13 435	17.0 432	10.7 273	8.3 210	6.3 160	249 113	17.0 432	17.13 435	17.0 432	10.7 273	8.3 210	6.3 160	(1)	17.01 432	17.13 435	17.01 432	11.42 290	11.57 294	5.91 150	242 110	
6 150	5.91 150	5.91 150	22.0 559	22.13 562	22.0 559	14.0 356	9.8 250	7.9 200	557 253	22.0 559	22.13 562	22.0 559	14.0 356	9.8 250	7.9 200	(1)	22.01 559	22.13 562	22.01 559	13.19 335	11.30 287	5.08 129	497 226	
8 200	7.91 201	7.91 201	26.0 660	26.13 664	26.0 660	16.5 419	11.3 288	10.0 255	1067 485	26.0 660	26.13 664	26.0 660	16.5 419	11.3 288	10.0 255	(1)	25.98 660	26.13 664	25.98 660	16.34 415	12.76 324	10.83 275	917 417	
10 250	9.92 252	9.92 252	31.0 787	31.13 791	31.0 787	20.1 510	13.0 330	12.1 308	1668 758	31.0 787	31.13 791	31.0 787	20.1 510	13.0 330	12.1 308	(1)	30.98 787	31.13 791	30.98 787	19.88 505	14.37 365	12.80 325	1254 570	
12 300	11.93 303	11.93 303	33.0 838	33.13 841	33.0 838	22.6 575	14.9 378	13.7 348	2347 1067	33.0 838	33.13 841	33.0 838	22.6 575	14.9 378	13.7 348	(1)	32.99 838	33.13 841	32.99 838	22.64 575	18.90 480	16.34 415	1584 720	
14 350	13.15 334	13.15 334	35.0 889	35.13 892	35.0 889	24.7 628	15.5 394	14.2 360	2383 1083	35.0 889	35.13 892	35.0 889	24.7 628	15.5 394	14.2 360	(1)	35.00 889	35.13 892	35.00 889	26.38 670	18.31 465	17.40 442	1694 770	
16 400	15.16 385	15.16 385	39.0 991	39.13 994	39.0 991	27.6 700	16.9 430	16.1 410	3355 1525	39.0 991	39.13 994	39.0 991	27.6 700	16.9 430	16.1 410	(1)	39.02 991	39.13 994	39.02 991	28.03 712	18.50 470	18.15 461	2446 1112	
18 450	17.17 436	17.17 436	43.0 1092	43.13 1095	43.0 1092	30.5 774	18.4 467	16.9 430	4609 2095	43.0 1092	43.13 1095	43.0 1092	30.5 774	18.4 467	16.9 430	(1)	42.99 1092	43.13 1095	42.99 1092	29.80 757	20.16 512	18.98 482	3351 1523	
20 500	19.17 487	19.17 487	47.0 1194	47.25 1200	47.0 1194	34.1 865	19.7 500	19.4 492	5804 2638	47.0 1194	47.25 1200	47.0 1194	34.1 865	19.7 500	19.4 492	(1)	47.01 1194	47.25 1200	47.01 1194	33.86 860	22.44 570	22.44 570	4268 1940	
22 550	21.18 538	21.18 538	51.0 1296	51.38 1305	51.0 1296	37.4 950	37.4 950	19.9 505	8331 3787	51.0 1296	51.38 1305	51.0 1296	37.4 950	37.4 950	19.9 505	(1)	51.02 1296	51.38 1305	51.02 1296	37.28 947	22.76 578	23.70 602	6072 2760	
24 600	23.19 589	23.19 589	55.0 1397	55.38 1406	55.0 1397	40.5 1028	23.4 594	22.4 570	10419 4736	55.0 1397	55.38 1406	55.0 1397	40.5 1028	23.4 594	22.4 570	(1)	55.00 1397	55.38 1406	55.00 1397	39.96 1015	24.49 622	24.02 610	7069 3213	
26 650	24.92 633	24.92 633	57.0 1448	57.50 1460	57.0 1448	40.0 1015	24.8 630	24.3 618	12423 5647	57.0 1448	57.50 1460	57.0 1448	40.0 1015	24.8 630	24.3 618	(1)	57.01 1448	57.50 1460	57.01 1448	42.44 1078	26.85 682	25.20 640	8389 3813	
28 700	26.93 684	26.93 684	61.0 1549	61.50 1562	61.0 1549	46.1 1172	26.2 665	27.2 692	14868 6710	61.0 1549	61.50 1562	61.0 1549	46.1 1172	26.2 665	27.2 692	(1)	60.98 1549	61.50 1562	60.98 1549	45.12 1146	29.21 742	28.43 722	10146 4612	
30 750	28.94 735	28.94 735	66.3 1684	65.50 1697	66.3 1684	50.8 1290	29.2 741	31.5 800	18429 8377	66.3 1684	65.50 1697	66.3 1684	50.8 1290	29.2 741	31.5 800	(1)	66.30 1684	65.50 1697	66.30 1684	50.00 1270	32.17 817	31.65 804	12408 5640	
32 800	30.67 779	30.67 779	70.0 1778	70.72 1794	70.0 1778	52.4 1330	29.8 756	31.7 804	21424 9738	70.0 1778	70.72 1794	70.0 1778	52.4 1330	29.8 756	31.7 804	(1)	70.00 1778	70.72 1794	70.00 1778	51.85 1317	33.66 855	33.07 840	15627 7103	
34 850	32.68 830	32.68 830	76.0 1930	76.52 1946	76.0 1930	55.1 1400	30.8 782	32.2 817	24939 11336	76.0 1930	76.52 1946	76.0 1930	55.1 1400	30.8 782	32.2 817	(1)	75.98 1930	76.52 1946	75.98 1930	56.02 1423	35.16 893	35.04 890	17208 7822	
36 900	34.41 874	34.41 874	82.0 2083	82.63 2098	82.0 2083	60.9 1546	34.2 869	37.2 945	29256 13298	82.0 2083	82.63 2098	82.0 2083	60.9 1546	34.2 869	37.2 945	(1)	82.01 2083	82.63 2098	82.01 2083	57.09 1450	37.28 947	37.17 944	20060 9118	
40 1000	38.43 976	38.43 976	85.4 2170	85.43 2170	85.4 2170	64.8 1645	36.1 916	38.6 980	40337 18335	85.4 2170	85.43 2170	85.4 2170	64.8 1645	36.1 916	38.6 980	(1)	85.43 2170	85.43 2170	85.43 2170	65.67 1668	40.35 1025	40.98 1041	28171 12805	
42 1050	40.16 1020	40.16 1020	85.6 2175	85.63 2175	85.6 2175	70.7 1795	39.2 992	43.7 1110	46983 2156	85.6 2175	85.63 2175	85.6 2175	70.7 1795	39.2 992	43.7 1110	(1)	85.63 2175	85.63 2175	85.63 2175	67.72 1720	42.76 1086	42.32 1075	33260 15118	
48 1200	45.91 1166	45.91 1166	95.9 2435	95.87 2435	95.9 2435	81.5 2070	44.6 1132	49.8 1265	68629 31195	95.9 2435	95.87 2435	95.9 2435	81.5 2070	44.6 1132	49.8 1265	(1)	95.87 2435	95.87 2435	95.87 2435	77.56 1970	59.29 1506	48.82 1240	49762 22619	
56 1400	53.54 1360	53.54 1360	106.7 2710	106.69 2710	106.7 2710	94.1 2390	50.8 1290	57.1 1450	104463 47483	106.7 2710	106.69 2710	106.7 2710	94.1 2390	50.8 1290	57.1 1450	(1)	(1)	(1)	(1)	(1)	(1)	(1)	(1)	(1)

* Weight figures are relevant to flanged end valves.
 (1) Please consult the factory.
 Note: For dimensions & weights in larger sizes consult the factory.
 Dimensions C, D, E and weights are subject to change without notice.

DIMENSIONS & WEIGHTS



ASME CLASS 600 REDUCED BORE

ALL TYPES SIZE in/mm	SIDE-ENTRY								WELDED BODY								TOP-ENTRY							
	A	B	L-RF	L-RTJ	L-WE	C	D	E	WEIGHT lb/kg*	L-RF	L-RTJ	L-WE	C	D	E	WEIGHT lb/kg*	L-RF	L-RTJ	L-WE	C	D	E	WEIGHT lb/kg*	
2 × 1½ 50 × 40	1.93 49	1.50 38	11.5 292	11.63 295	11.5 292	6.5 165	3.7 95	4.0 102	68 31	11.5 292	11.63 295	11.5 292	6.5 165	3.7 95	4.0 102	(1)	14.5 368	11.63 295	14.5 368	7.0 178	8.3 210	3.3 85	75 34	
3 × 2 80 × 50	2.91 74	1.93 49	14.0 356	14.13 359	14.0 356	8.3 210	4.0 102	3.9 98	86 39	14.0 356	14.13 359	14.0 356	8.3 210	4.0 102	3.9 98	(1)	14.0 356	14.13 359	14.0 356	8.3 210	8.5 215	3.7 95	101 46	
4 × 3 100 × 80	3.94 100	2.91 74	17.0 432	17.13 436	17.0 432	14.7 373	6.5 165	5.0 128	172 78	17.0 432	17.13 436	17.0 432	14.7 373	6.5 165	5.0 128	(1)	17.0 432	17.13 436	17.0 432	10.7 273	9.1 232	4.9 124	207 94	
6 × 4 150 × 100	5.91 150	3.94 100	22.0 559	22.13 562	22.0 559	14.0 356	8.3 210	6.3 160	330 150	22.0 559	22.13 562	22.0 559	14.0 356	8.3 210	6.3 160	(1)	22.0 559	22.13 562	22.0 559	14.0 356	11.6 294	5.9 150	180 82	
8 × 6 200 × 150	7.91 201	5.91 150	26.0 660	26.13 664	26.0 660	16.5 419	9.8 250	7.9 200	642 292	26.0 660	26.13 664	26.0 660	16.5 419	9.8 250	7.9 200	(1)	26.0 660	26.13 664	26.0 660	16.5 419	11.3 287	5.1 129	699.6 318	
10 × 8 250 × 200	9.92 252	7.91 201	31.0 787	31.13 791	31.0 787	20.1 510	11.3 288	10.0 255	1210 550	31.0 787	31.13 791	31.0 787	20.1 510	11.3 288	10.0 255	(1)	31.0 787	31.13 791	31.0 787	20.1 510	12.8 324	10.8 275	1320 600	
12 × 10 300 × 250	11.93 303	9.92 252	33.0 838	33.13 841	33.0 838	22.0 560	13.0 330	12.1 308	1784 811	33.0 838	33.13 841	33.0 838	22.0 560	13.0 330	12.1 308	(1)	33.0 838	33.13 841	33.0 838	22.0 560	14.4 365	12.8 325	1582 719	
14 × 10 350 × 250	13.15 334	9.92 252	35.0 889	35.13 892	35.0 889	23.8 605	13.0 330	12.1 308	2006 912	35.0 889	35.13 892	35.0 889	23.8 605	13.0 330	12.1 308	(1)	35.0 889	35.13 892	35.0 889	23.8 605	14.4 365	12.8 325	2180 991	
14 × 12 350 × 300	13.15 334	11.93 303	35.0 889	35.13 892	35.0 889	23.8 605	14.9 378	13.7 348	2519 1145	35.0 889	35.13 892	35.0 889	23.8 605	14.9 378	13.7 348	(1)	35.0 889	35.13 892	35.0 889	23.8 605	18.9 480	16.3 415	2620 1191	
16 × 12 400 × 300	15.16 385	11.93 303	39.0 991	39.13 994	39.0 991	27.0 685	14.9 378	13.7 348	2966 1348	39.0 991	39.13 994	39.0 991	27.0 685	14.9 378	13.7 348	(1)	39.0 991	39.13 994	39.0 991	27.0 685	18.9 480	16.3 415	3104 1411	
16 × 14 400 × 350	15.16 385	13.15 334	35.0 889	35.13 892	35.0 889	24.7 628	15.5 394	14.2 360	2383 1083	35.0 889	35.13 892	35.0 889	24.7 628	15.5 394	14.2 360	(1)	39.0 991	39.13 994	39.0 991	27.0 685	18.3 465	17.4 442	3029 1377	
18 × 16 450 × 400	17.17 436	15.16 385	43.0 1092	43.13 1095	43.0 1092	29.3 745	16.9 430	16.1 410	3696 1680	43.0 1092	43.13 1095	43.0 1092	29.3 745	16.9 430	16.1 410	(1)	43.0 1092	43.13 1095	43.0 1092	29.3 745	18.5 470	18.1 461	4083 1856	
20 × 16 500 × 400	19.17 487	15.16 385	47.0 1194	47.25 1200	47.0 1194	32.1 815	16.9 430	16.1 410	4587 2085	47.0 1194	47.25 1200	47.0 1194	32.1 815	16.9 430	16.1 410	(1)	47.0 1194	47.25 1200	47.0 1194	32.1 815	18.5 470	18.1 461	6371 2896	
20 × 18 500 × 450	19.17 487	17.17 436	47.0 1194	47.25 1200	47.0 1194	32.1 815	18.4 467	16.9 430	5225 2375	47.0 1194	47.25 1200	47.0 1194	32.1 815	18.4 467	16.9 430	(1)	47.0 1194	47.25 1200	47.0 1194	32.1 815	20.2 512	19.0 482	5755 2616	
24 × 20 600 × 500	23.19 589	19.17 487	55.0 1397	55.38 1406	55.0 1397	37.0 940	19.7 500	19.4 492	7146 3248	55.0 1397	55.38 1406	55.0 1397	37.0 940	19.7 500	19.4 492	(1)	55.0 1397	55.38 1406	55.0 1397	37.0 940	22.4 570	22.4 570	7740 3518	
30 × 24 750 × 600	28.94 735	23.19 589	66.3 1684	65.50 1697	66.3 1684	44.5 1130	23.4 594	22.4 570	12690 5768	66.3 1684	65.50 1697	66.3 1684	44.5 1130	23.4 594	22.4 570	(1)	66.3 1684	65.50 1697	66.3 1684	44.5 1130	24.5 622	24.0 610	13130 5968	
36 × 30 900 × 750	34.41 874	28.94 735	82.0 2083	82.63 2098	82.0 2083	51.8 1315	27.9 708	29.6 751	22827 10376	82.0 2083	82.63 2098	82.0 2083	51.8 1315	27.9 708	29.6 751	(1)	82.0 2083	82.63 2098	82.0 2083	51.8 1315	32.2 817	31.7 804	23258 10572	

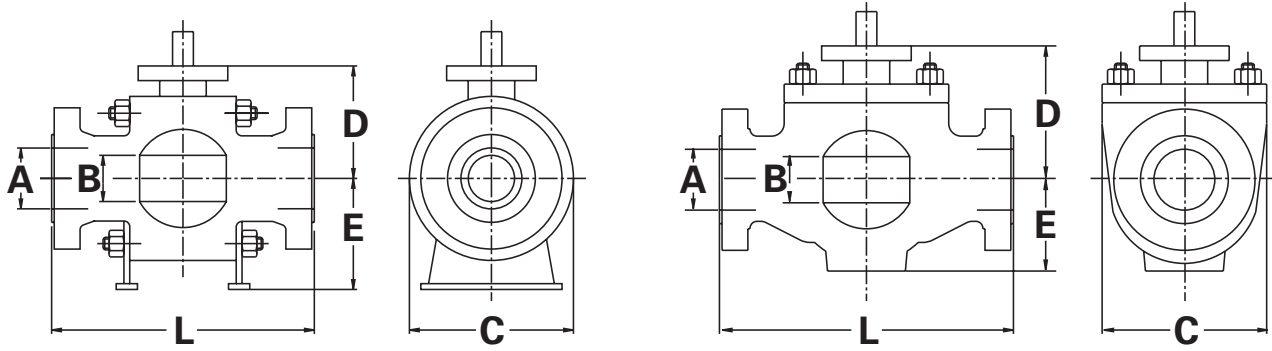
* Weight figures are relevant to flanged end valves.

(1) Please consult the factory.

Note: For dimensions & weights in larger sizes consult the factory.

Dimensions C, D, E and weights are subject to change without notice.

DIMENSIONS & WEIGHTS



ASME CLASS 900 FULL BORE

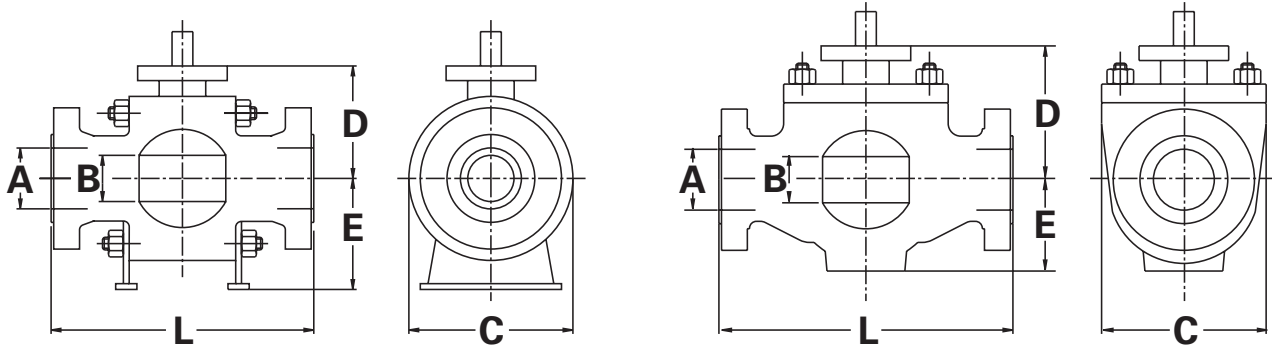
ALL TYPES			SIDE-ENTRY							WELDED BODY							TOP-ENTRY						
SIZE in/mm	A	B	L-RF	L-RTJ	L-WE	C	D	E	WEIGHT lb/kg*	L-RF	L-RTJ	L-WE	C	D	E	WEIGHT lb/kg*	L-RF	L-RTJ	L-WE	C	D	E	WEIGHT lb/kg*
2 50	1.93 49	1.93 49	14.49 368	14.61 371	14.49 368	8.50 216	4.09 104	4.06 103	106 48	14.49 368	14.61 371	14.49 368	8.50 216	4.09 104	4.06 103	(1)	14.49 368	14.61 371	14.49 368	8.50 216	8.35 212	3.35 85	114 52
3 80	2.91 74	2.91 74	15.00 381	15.12 384	15.00 381	9.49 241	6.42 163	5.20 132	121 55	15.00 381	15.12 384	15.00 381	9.49 241	6.42 163	5.20 132	(1)	15.00 381	15.12 384	15.00 381	9.49 241	8.94 227	4.45 113	242 110
4 100	3.94 100	3.94 100	17.99 457	18.11 460	17.99 457	11.50 292	8.31 211	6.65 169	319 145	17.99 457	18.11 460	17.99 457	11.50 292	8.31 211	6.65 169	(1)	17.99 457	18.11 460	17.99 457	11.50 292	10.91 277	5.67 144	440 200
6 150	5.91 150	5.91 150	24.02 610	24.13 613	24.02 610	15.00 381	10.20 259	8.39 213	792 360	24.02 610	24.13 613	24.02 610	15.00 381	10.20 259	8.39 213	(1)	24.02 610	24.13 613	24.02 610	15.00 381	11.14 283	13.11 333	946 430
8 200	7.91 201	7.91 201	29.02 737	29.13 740	29.02 737	18.50 470	11.69 297	10.39 264	1276 580	29.02 737	29.13 740	29.02 737	18.50 470	11.69 297	10.39 264	(1)	29.02 737	29.13 740	29.02 737	18.50 470	13.15 334	10.79 274	1760 800
10 250	9.92 252	9.92 252	32.99 838	33.11 841	32.99 838	21.46 545	13.46 342	13.11 333	2222 1010	32.99 838	33.11 841	32.99 838	21.46 545	13.46 342	13.11 333	(1)	32.99 838	33.11 841	32.99 838	21.46 545	14.96 380	12.60 320	2200 1000
12 300	11.93 303	11.93 303	37.99 965	38.11 968	37.99 965	24.02 610	15.12 384	14.92 379	3322 1510	37.99 965	38.11 968	37.99 965	24.02 610	15.12 384	14.92 379	(1)	37.99 965	38.11 968	37.99 965	24.02 610	19.96 507	16.46 418	2860 1300
14 350	12.68 322	12.68 322	40.51 1029	40.87 1038	40.51 1029	25.20 640	15.67 398	14.49 368	3190 1450	40.51 1029	40.87 1038	40.51 1029	25.20 640	15.67 398	14.49 368	(1)	40.51 1029	40.87 1038	40.51 1029	25.20 640	20.47 520	17.44 443	3729 1695
16 400	14.69 373	14.69 373	44.49 1130	44.88 1140	44.49 1130	27.95 710	17.17 436	17.20 437	4730 2150	44.49 1130	44.88 1140	44.49 1130	27.95 710	17.17 436	17.20 437	(1)	44.49 1130	44.88 1140	44.49 1130	27.95 710	21.18 538	18.19 462	5632 2560
18 450	16.65 423	16.65 423	47.99 1219	48.50 1232	47.99 1219	31.50 800	19.06 484	19.57 497	6204 2820	47.99 1219	48.50 1232	47.99 1219	31.50 800	19.06 484	19.57 497	(1)	47.99 1219	48.50 1232	47.99 1219	31.50 800	22.83 580	19.17 487	7480 3400
20 500	18.54 471	18.54 471	52.01 1321	52.48 1333	52.01 1321	35.04 890	20.94 532	19.80 503	9240 4200	52.01 1321	52.48 1333	52.01 1321	35.04 890	20.94 532	19.80 503	(1)	52.01 1321	52.48 1333	52.01 1321	35.04 890	24.61 625	23.82 605	9680 4400
24 600	22.44 570	22.44 570	60.98 1549	61.73 1568	60.98 1549	41.69 1059	24.29 617	24.92 633	14960 6800	60.98 1549	61.73 1568	60.98 1549	41.69 1059	24.29 617	24.92 633	(1)	60.98 1549	61.73 1568	60.98 1549	41.69 1059	27.17 690	24.61 625	15840 7200
28 700	26.18 665	26.18 665	69.02 1753	69.88 1775	69.02 1753	48.58 1234	26.54 674	27.80 706	21780 9900	69.02 1753	69.88 1775	69.02 1753	48.58 1234	26.54 674	27.80 706	(1)	69.02 1753	69.88 1775	69.02 1753	48.58 1234	32.28 820	28.46 723	22880 10400
30 750	28.03 712	28.03 712	74.02 1880	74.88 1902	74.02 1880	51.18 1300	28.46 723	30.59 777	26796 12180	74.02 1880	74.88 1902	74.02 1880	51.18 1300	28.46 723	30.59 777	(1)	74.02 1880	74.88 1902	74.02 1880	51.18 1300	34.65 880	31.50 800	28325 12875
32 800	29.92 760	29.92 760	80.00 2032	80.87 2054	80.00 2032	53.43 1357	30.87 784	31.85 809	26004 11820	80.00 2032	80.87 2054	80.00 2032	53.43 1357	30.87 784	31.85 809	(1)	80.00 2032	80.87 2054	80.00 2032	53.43 1357	36.93 938	34.25 870	35090 15950
34 850	31.81 808	31.81 808	85.00 2159	86.14 2188	85.00 2159	57.80 1468	31.77 807	33.54 852	37840 17200	85.00 2159	86.14 2188	85.00 2159	57.80 1468	31.77 807	33.54 852	(1)	85.00 2159	86.14 2188	85.00 2159	57.80 1468	38.66 982	36.22 920	38500 17500
36 900	33.66 855	33.66 855	90.00 2286	91.14 2315	90.00 2286	60.31 1532	33.39 848	35.35 898	41580 18900	90.00 2286	91.14 2315	90.00 2286	60.31 1532	33.39 848	35.35 898	(1)	90.00 2286	91.14 2315	90.00 2286	60.31 1532	41.34 1050	38.98 990	45320 20600

* Weight figures are relevant to flanged end valves.

(1) Please consult the factory.

Note: For dimensions & weights in larger sizes consult the factory.
Dimensions C, D, E and weights are subject to change without notice.

DIMENSIONS & WEIGHTS



ASME CLASS 900 REDUCED BORE

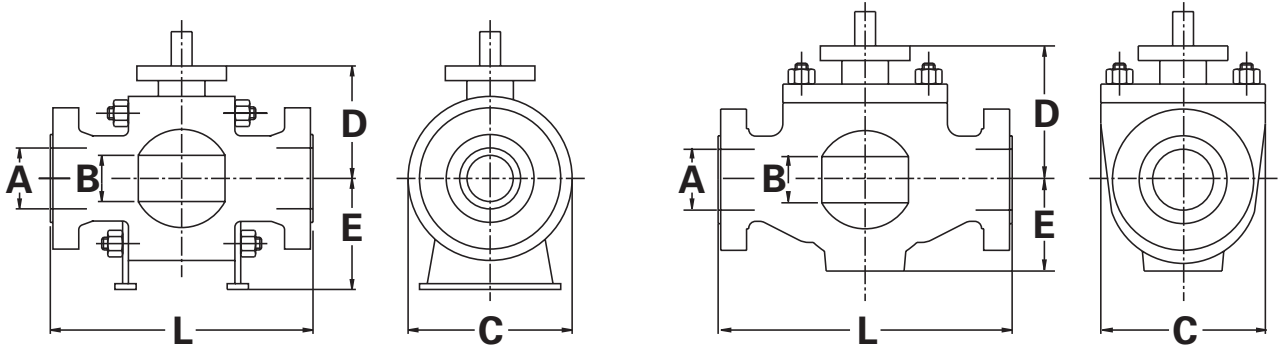
ALL TYPES		SIDE-ENTRY							WELDED BODY							TOP-ENTRY							
SIZE in/mm	A	B	L-RF	L-RTJ	L-WE	C	D	E	WEIGHT lb/kg*	L-RF	L-RTJ	L-WE	C	D	E	WEIGHT lb/kg*	L-RF	L-RTJ	L-WE	C	D	E	WEIGHT lb/kg*
2 × 1½ 50 × 40	1.93 49	1.50 38	14.49 368	14.61 371	14.49 368	8.50 216	4.06 103	4.02 102	90 41	14.49 368	14.61 371	14.49 368	8.50 216	4.06 103	4.02 102	(1)	14.49 368	14.61 371	14.49 368	8.50 216	8.31 211	3.31 84	110 50
3 × 2 80 × 50	2.91 74	1.93 49	15.00 381	15.12 384	15.00 381	9.49 241	4.06 103	4.02 102	114 52	15.00 381	15.12 384	15.00 381	9.49 241	4.06 103	4.02 102	(1)	15.00 381	15.12 384	15.00 381	9.49 241	8.31 211	3.31 84	165 75
4 × 3 100 × 80	3.94 100	2.91 74	17.99 457	18.11 460	17.99 457	11.50 292	6.54 166	5.00 127	209 95	17.99 457	18.11 460	17.99 457	11.50 292	6.54 166	5.00 127	(1)	17.99 457	18.11 460	17.99 457	11.50 292	8.94 227	4.29 109	308 140
6 × 4 150 × 100	5.91 150	3.94 100	24.02 610	24.13 613	24.02 610	15.00 381	8.19 208	6.42 163	451 205	24.02 610	24.13 613	24.02 610	15.00 381	8.19 208	6.42 163	(1)	24.02 610	24.13 613	24.02 610	15.00 381	10.87 276	5.71 145	601 273
8 × 6 200 × 150	7.91 201	5.91 150	29.02 737	29.13 740	29.02 737	18.50 470	10.35 263	8.39 213	968 440	29.02 737	29.13 740	29.02 737	18.50 470	10.35 263	8.39 213	(1)	29.02 737	29.13 740	29.02 737	18.50 470	11.02 280	8.78 223	1206 548
10 × 8 250 × 200	9.92 252	7.91 201	32.99 838	33.11 841	32.99 838	21.46 545	11.57 294	10.59 269	1518 690	32.99 838	33.11 841	32.99 838	21.46 545	11.57 294	10.59 269	(1)	32.99 838	33.11 841	32.99 838	21.46 545	13.35 339	10.67 271	1993 906
12 × 10 300 × 250	11.93 303	9.92 252	37.99 965	38.11 968	37.99 965	24.02 610	13.70 348	12.91 328	2541 1155	37.99 965	38.11 968	37.99 965	24.02 610	13.70 348	12.91 328	(1)	37.99 965	38.11 968	37.99 965	24.02 610	14.96 380	12.76 324	2398 1090
14 × 10 350 × 250	12.68 322	9.92 252	40.51 1029	40.87 1038	40.51 1029	25.20 640	13.70 348	12.91 328	2728 1240	40.51 1029	40.87 1038	40.51 1029	25.20 640	13.70 348	12.91 328	(1)	40.51 1029	40.87 1038	40.51 1029	25.20 640	14.96 380	12.76 324	3289 1495
14 × 12 350 × 300	12.68 322	11.93 303	40.51 1029	40.87 1038	40.51 1029	25.20 640	15.75 400	15.04 382	3597 1635	40.51 1029	40.87 1038	40.51 1029	25.20 640	15.75 400	15.04 382	(1)	40.51 1029	40.87 1038	40.51 1029	25.20 640	20.28 515	16.14 410	3960 1800
16 × 12 400 × 300	14.69 373	11.93 303	44.49 1130	44.88 1140	44.49 1130	27.76 705	15.75 400	15.04 382	3806 1730	44.49 1130	44.88 1140	44.49 1130	27.76 705	15.75 400	15.04 382	(1)	44.49 1130	44.88 1140	44.49 1130	27.76 705	20.28 515	16.14 410	4620 2100
16 × 14 400 × 350	14.69 373	12.68 322	44.49 1130	44.88 1140	44.49 1130	27.56 700	15.83 402	17.32 440	3740 1700	44.49 1130	44.88 1140	44.49 1130	27.76 705	15.83 402	17.32 440	(1)	44.49 1130	44.88 1140	44.49 1130	27.76 705	20.47 520	17.52 445	4400 2000
18 × 16 450 × 400	16.65 423	14.69 373	47.99 1219	48.50 1232	47.99 1219	31.10 790	17.28 439	17.40 442	5368 2440	47.99 1219	48.50 1232	47.99 1219	30.91 785	17.28 439	17.40 442	(1)	47.99 1219	48.50 1232	47.99 1219	30.91 785	21.10 536	18.23 463	6241 2837
20 × 16 500 × 400	18.54 471	14.69 373	52.01 1321	52.48 1333	52.01 1321	31.10 790	17.28 439	17.40 442	6325 2875	52.01 1321	52.48 1333	52.01 1321	33.66 855	17.28 439	17.40 442	(1)	52.01 1321	52.48 1333	52.01 1321	33.66 855	21.10 536	18.23 463	7733 3515
20 × 18 500 × 450	18.54 471	16.65 423	52.01 1321	52.48 1333	52.01 1321	33.66 855	18.90 480	19.09 485	7150 3250	52.01 1321	52.48 1333	52.01 1321	33.66 855	18.90 480	19.09 485	(1)	52.01 1321	52.48 1333	52.01 1321	33.66 855	22.83 580	19.09 485	8525 3875
24 × 20 600 × 500	22.44 570	18.54 471	60.98 1549	61.73 1568	60.98 1549	40.94 1040	21.02 534	19.69 500	11880 5400	60.98 1549	61.73 1568	60.98 1549	40.94 1040	21.02 534	19.69 500	(1)	60.98 1549	61.73 1568	60.98 1549	40.94 1040	24.76 629	23.78 604	11869 5395
30 × 24 750 × 600	28.03 712	22.44 570	74.02 1880	74.88 1902	74.02 1880	48.43 1230	23.94 608	24.88 632	19140 8700	74.02 1880	74.88 1902	74.02 1880	48.43 1230	23.94 608	24.88 632	(1)	74.02 1880	74.88 1902	74.02 1880	48.43 1230	25.20 640	26.18 665	19800 9000
36 × 30 900 × 750	33.66 855	28.03 712	90.00 2286	91.14 2315	90.00 2286	57.48 1460	28.70 729	30.87 784	33770 15350	90.00 2286	91.14 2315	90.00 2286	57.48 1460	28.70 729	30.87 784	(1)	90.00 2286	91.14 2315	90.00 2286	57.48 1460	30.59 777	31.30 795	33517 15235

* Weight figures are relevant to flanged end valves.

(1) Please consult the factory.

Note: For dimensions & weights in larger sizes consult the factory.
Dimensions C, D, E and weights are subject to change without notice.

DIMENSIONS & WEIGHTS



ASME CLASS 1500 FULL BORE

ALL TYPES		SIDE-ENTRY							WELDED BODY							TOP-ENTRY							
SIZE in/mm	A	B	L-RF	L-RTJ	L-WE	C	D	E	WEIGHT lb/kg*	L-RF	L-RTJ	L-WE	C	D	E	WEIGHT lb/kg*	L-RF	L-RTJ	L-WE	C	D	E	WEIGHT lb/kg*
2 50	1.93 49	1.93 49	14.49 368	14.61 371	14.49 368	8.50 216	4.17 106	4.09 104	110 50	14.49 368	14.61 371	14.49 368	8.50 216	4.17 106	4.09 104	(1)	14.49 368	14.61 371	14.49 368	8.50 216	8.35 212	3.43 87	123 56
3 80	2.91 74	2.91 74	18.50 470	18.62 473	18.50 470	10.51 267	6.57 167	5.04 128	213 97	18.50 470	18.62 473	18.50 470	10.51 267	6.57 167	5.04 128	(1)	18.50 470	18.62 473	18.50 470	10.51 267	9.29 236	4.65 118	337 153
4 100	3.94 100	3.94 100	21.50 546	21.61 549	21.50 546	12.24 311	1.10 28	6.69 170	436 198	21.50 546	21.61 549	21.50 546	12.24 311	1.10 28	6.69 170	(1)	21.50 546	21.61 549	21.50 546	12.24 311	11.57 294	5.91 150	612 278
6 150	5.67 144	5.67 144	27.76 705	27.99 711	27.76 705	15.51 394	10.24 260	9.17 233	1056 480	27.76 705	27.99 711	27.76 705	15.51 394	10.24 260	9.17 233	(1)	27.76 705	27.99 711	27.76 705	15.51 394	11.93 303	9.29 236	1320 600
8 200	7.56 192	7.56 192	32.76 832	33.11 841	32.76 832	19.02 483	11.97 304	11.42 290	1804 820	32.76 832	33.11 841	32.76 832	19.02 483	11.97 304	11.42 290	(1)	32.76 832	33.11 841	32.76 832	19.02 483	13.94 354	11.22 285	2420 1100
10 250	9.41 239	9.41 239	39.02 991	39.37 1000	39.02 991	23.03 585	14.29 363	13.86 352	3300 1500	39.02 991	39.37 1000	39.02 991	23.03 585	14.29 363	13.86 352	(1)	39.02 991	39.37 1000	39.02 991	23.03 585	15.67 398	13.11 333	3164 1438
12 300	11.30 287	11.30 287	44.49 1130	44.61 1133	44.49 1130	27.91 709	16.42 417	16.73 425	4950 2250	44.49 1130	44.61 1133	44.49 1130	27.91 709	16.42 417	16.73 425	(1)	44.49 1130	44.61 1133	44.49 1130	27.91 709	20.47 520	16.81 427	4437 2017
14 350	12.40 315	12.40 315	49.49 1257	50.24 1276	49.49 1257	30.12 765	17.20 437	16.77 426	6270 2850	49.49 1257	50.24 1276	49.49 1257	30.12 765	17.20 437	16.77 426	(1)	49.49 1257	50.24 1276	49.49 1257	30.12 765	21.65 550	17.95 456	5746 2612
16 400	14.17 360	14.17 360	54.49 1384	55.35 1406	54.49 1384	33.39 848	18.70 475	19.41 493	8954 4070	54.49 1384	55.35 1406	54.49 1384	33.39 848	18.70 475	19.41 493	(1)	54.49 1384	55.35 1406	54.49 1384	33.39 848	22.24 565	19.17 487	8558 3890
18 450	15.94 405	15.94 405	60.51 1537	61.38 1559	60.51 1537	38.58 980	22.17 563	23.94 608	13629 6195	N/A	N/A	N/A	N/A	N/A	N/A	N/A	60.51 1537	61.38 1559	60.51 1537	38.58 980	23.31 592	20.75 527	11220 5100
20 500	17.91 455	17.91 455	65.51 1664	66.38 1686	65.51 1664	39.96 1015	24.29 617	25.39 645	19965 9075	N/A	N/A	N/A	N/A	N/A	N/A	N/A	65.51 1664	66.38 1686	65.51 1664	39.96 1015	25.59 650	24.80 630	14692 6678
24 600	20.87 530	20.87 530	80.43 2043	81.54 2071	80.43 2043	50.91 1293	27.48 698	28.50 724	31416 14280	N/A	N/A	N/A	N/A	N/A	N/A	N/A	80.43 2043	81.54 2071	80.43 2043	50.91 1293	25.98 660	25.20 640	25740 11700

ASME CLASS 2500 FULL BORE

ALL TYPES		SIDE-ENTRY							TOP-ENTRY							
SIZE in/mm	A	B	L-RF	L-RTJ	L-WE	C	D	E	WEIGHT lb/kg*	L-RF	L-RTJ	L-WE	C	D	E	WEIGHT lb/kg*
2 50	1.65 42	1.65 42	17.76 451	17.87 454	17.76 451	9.25 235	4.72 120	5.00 127	194 88	17.76 451	17.87 454	17.76 451	9.25 235	8.35 212	3.86 98	264 120
3 80	2.44 62	2.44 62	22.76 578	22.99 584	22.76 578	12.01 305	6.97 177	7.80 198	411 187	22.76 578	22.99 584	22.76 578	12.56 319	9.57 243	4.80 122	541 246
4 100	3.43 87	3.43 87	26.50 673	26.89 683	26.50 673	14.02 356	8.94 227	9.17 233	836 380	26.50 673	26.89 683	26.50 673	14.33 364	11.77 299	6.46 164	1034 470
6 150	5.16 131	5.16 131	35.98 914	36.50 927	35.98 914	19.02 483	10.39 264	9.92 252	1694 770	35.98 914	36.50 927	35.98 914	19.02 483	13.98 355	9.57 243	2061 937
8 200	7.05 179	7.05 179	40.24 1022	40.87 1038	40.24 1022	24.41 620	15.08 383	13.35 339	2985 1357	40.24 1022	40.87 1038	40.24 1022	21.65 550	16.69 424	11.50 292	3102 1410
10 250	8.78 223	8.78 223	50.00 1270	50.87 1292	50.00 1270	29.33 745	17.83 453	16.61 422	4620 2100	50.00 1270	50.87 1292	50.00 1270	26.57 675	19.80 503	13.86 352	5720 2600
12 300	10.43 265	10.43 265	55.98 1422	56.89 1445	55.98 1422	34.25 870	20.47 520	18.98 482	7062 3210	55.98 1422	56.89 1445	55.98 1422	30.12 765	23.15 588	17.17 436	9240 4200

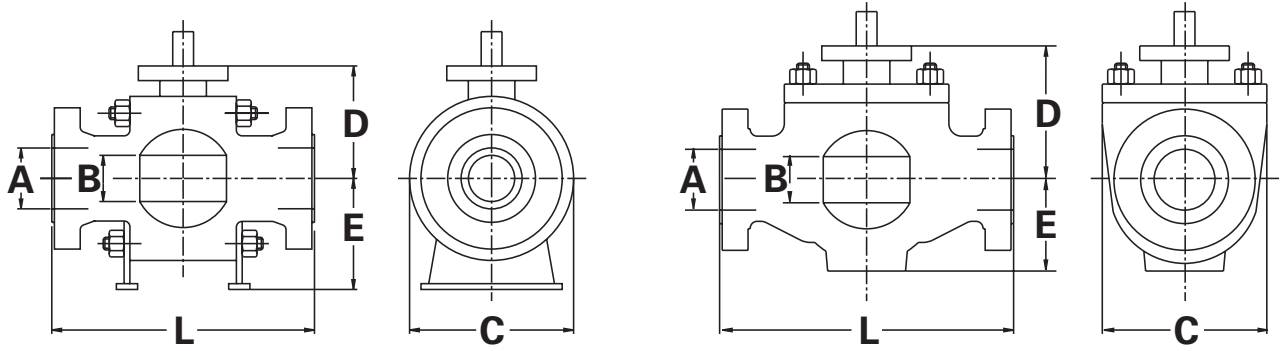
* Weight figures are relevant to flanged end valves.

(1) Please consult the factory.

Note: For dimensions & weights in larger sizes consult the factory.

Dimensions C, D, E and weights are subject to change without notice.

DIMENSIONS & WEIGHTS



ASME CLASS 1500 REDUCED BORE

ALL TYPES			SIDE-ENTRY							WELDED BODY							TOP-ENTRY						
SIZE in/mm	A	B	L-RF	L-RTJ	L-WE	C	D	E	WEIGHT lb/kg*	L-RF	L-RTJ	L-WE	C	D	E	WEIGHT lb/kg*	L-RF	L-RTJ	L-WE	C	D	E	WEIGHT lb/kg*
2 × 1½ 50 × 40	1.93 49	1.50 38	14.49 368	14.61 371	14.49 368	8.50 216	4.09 104	4.06 103	90 41	14.49 368	14.61 371	14.49 368	8.50 216	4.09 104	4.06 103	(1)	14.49 368	14.61 371	14.49 368	8.50 216	8.31 211	3.15 80	110 50
3 × 2 80 × 50	2.91 74	1.93 49	18.50 470	18.62 473	18.50 470	10.51 267	4.09 104	4.06 103	150 68	18.50 470	18.62 473	18.50 470	10.51 267	4.09 104	4.06 103	(1)	18.50 470	18.62 473	18.50 470	10.51 267	8.31 211	3.15 80	216 98
4 × 3 100 × 80	3.94 100	2.91 74	21.50 546	21.61 549	21.50 546	12.24 311	6.54 166	5.04 128	268 122	21.50 546	21.61 549	21.50 546	12.24 311	6.54 166	5.04 128	(1)	21.50 546	21.61 549	21.50 546	12.24 311	9.29 236	4.65 118	447 203
6 × 4 150 × 100	5.67 144	3.94 100	27.76 705	27.99 711	27.76 705	15.51 394	8.39 213	6.61 168	627 285	27.76 705	27.99 711	27.76 705	15.51 394	8.39 213	6.61 168	(1)	27.76 705	27.99 711	27.76 705	15.51 394	6.02 153	6.02 153	827 376
8 × 6 200 × 150	7.56 192	5.67 144	32.76 832	33.11 841	32.76 832	19.02 483	10.43 265	9.02 229	1245 566	32.76 832	33.11 841	32.76 832	19.02 483	10.43 265	9.02 229	(1)	32.76 832	33.11 841	32.76 832	19.02 483	11.93 303	9.29 236	1547 703
10 × 8 250 × 200	9.41 239	7.56 192	39.02 991	39.37 1000	39.02 991	23.03 585	11.69 297	11.30 287	2248 1022	39.02 991	39.37 1000	39.02 991	23.03 585	11.69 297	11.30 287	(1)	39.02 991	39.37 1000	39.02 991	23.03 585	13.74 349	11.22 285	2801 1273
12 × 10 300 × 250	11.30 287	9.41 239	44.49 1130	45.12 1146	44.49 1130	26.57 675	14.17 360	13.66 347	3872 1760	44.49 1130	45.12 1146	44.49 1130	26.57 675	14.17 360	13.66 347	(1)	44.49 1130	45.12 1146	44.49 1130	26.57 675	15.91 404	12.99 330	337 1535
14 × 10 350 × 250	12.40 315	9.41 239	49.49 1257	50.24 1276	49.49 1257	29.53 750	14.17 360	13.66 347	4719 2145	49.49 1257	50.24 1276	49.49 1257	29.53 750	14.17 360	13.66 347	(1)	49.49 1257	50.24 1276	49.49 1257	29.53 750	15.91 404	12.99 330	4620 2100
14 × 12 350 × 300	12.40 315	11.30 287	49.49 1257	50.24 1276	49.49 1257	29.53 750	16.69 424	16.61 422	5500 2500	49.49 1257	50.24 1276	49.49 1257	29.53 750	16.69 424	16.61 422	(1)	49.49 1257	50.24 1276	49.49 1257	29.53 750	20.87 530	16.81 427	5936 2698
16 × 12 400 × 300	14.17 360	11.30 287	54.49 1384	55.35 1406	54.49 1384	32.48 825	16.69 424	16.61 422	6160 2800	54.49 1384	55.35 1406	54.49 1384	32.48 825	16.69 424	16.61 422	(1)	54.49 1384	55.35 1406	54.49 1384	32.48 825	20.87 530	16.81 427	7040 3200
16 × 14 400 × 350	14.17 360	12.40 315	54.49 1384	55.35 1406	54.49 1384	32.48 825	17.44 443	16.85 428	7139 3245	54.49 1384	55.35 1406	54.49 1384	32.48 825	17.44 443	16.85 428	(1)	54.49 1384	55.35 1406	54.49 1384	32.48 825	21.26 540	17.91 455	6820 3100
18 × 16 450 × 400	15.94 405	14.17 360	60.51 1537	61.38 1559	60.51 1537	36.06 916	19.06 484	19.76 502	10934 4970	N/A	N/A	N/A	N/A	N/A	N/A	N/A	60.51 1537	61.38 1559	60.51 1537	36.06 916	21.93 557	19.41 493	9240 4200
20 × 16 500 × 400	17.91 455	14.17 360	65.51 1664	66.38 1686	65.51 1664	38.78 985	19.06 484	19.76 502	11297 5135	N/A	N/A	N/A	N/A	N/A	N/A	N/A	65.51 1664	66.38 1686	65.51 1664	38.78 985	21.93 557	19.41 493	9900 4500
20 × 18 500 × 450	17.91 455	15.94 405	65.51 1664	66.38 1686	65.51 1664	38.78 985	21.85 555	23.74 603	16500 7500	N/A	N/A	N/A	N/A	N/A	N/A	N/A	65.51 1664	66.38 1686	65.51 1664	38.78 985	23.35 593	20.75 527	12980 5900
24 × 20 600 × 500	20.87 530	17.91 455	80.43 2043	81.54 2071	80.43 2043	46.06 1170	24.57 624	25.31 643	23925 10875	N/A	N/A	N/A	N/A	N/A	N/A	N/A	80.43 2043	81.54 2071	80.43 2043	46.06 1170	25.87 657	24.41 620	20240 9200

ASME CLASS 2500 REDUCED BORE

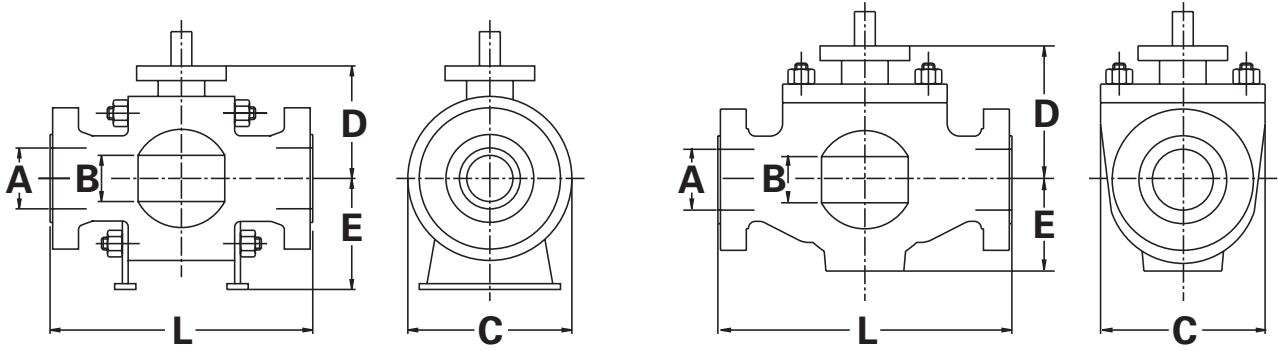
ALL TYPES			SIDE-ENTRY							TOP-ENTRY						
SIZE in/mm	A	B	L-RF	L-RTJ	L-WE	C	D	E	WEIGHT lb/kg*	L-RF	L-RTJ	L-WE	C	D	E	WEIGHT lb/kg*
2 × 1½ 50 × 40	1.65 42	1.50 38	17.76 451	17.87 454	17.76 451	9.25 235	4.72 120	5.00 127	143 65	17.76 451	17.87 454	17.76 451	9.45 240	8.35 212	3.86 98	176 80
3 × 2 80 × 50	2.44 62	1.65 42	22.76 578	22.99 584	22.76 578	12.01 305	4.72 120	5.00 127	341 155	22.76 578	22.99 584	22.76 578	12.01 305	8.35 212	3.86 98	352 160
4 × 3 100 × 80	3.43 87	2.44 62	26.50 673	26.89 683	26.50 673	14.02 356	6.97 177	7.80 198	581 264	26.50 673	26.89 683	26.50 673	14.02 356	9.57 243	4.80 122	660 300
6 × 4 150 × 100	5.16 131	3.43 87	35.98 914	36.50 927	35.98 914	19.02 483	8.94 227	9.17 233	1122 510	35.98 914	36.50 927	35.98 914	19.02 483	11.77 299	6.46 164	1474 670
8 × 6 200 × 150	7.05 179	5.16 131	40.24 1022	40.87 1038	40.24 1022	21.65 550	10.39 264	9.92 252	2398 1090	40.24 1022	40.87 1038	40.24 1022	21.65 550	13.98 355	9.57 243	2530 1150
10 × 8 250 × 200	8.78 223	7.05 179	50.00 1270	50.87 1292	50.00 1270	26.57 675	15.08 383	13.35 339	3659 1663	50.00 1270	50.87 1292	50.00 1270	26.57 675	16.69 424	11.50 292	4620 2100
12 × 10 300 × 250	10.43 265	8.78 223	55.98 1422	56.89 1445	55.98 1422	29.92 760	20.47 520	18.98 482	5621 2555	55.98 1422	56.89 1445	55.98 1422	29.92 760	19.80 503	13.86 352	7260 3300

* Weight figures are relevant to flanged end valves.

(1) Please consult the factory.

Note: For dimensions & weights in larger sizes consult the factory.
Dimensions C, D, E and weights are subject to change without notice.

DIMENSIONS & WEIGHTS



CLASS API 3000 FULL BORE

ALL TYPES			SIDE-ENTRY					TOP-ENTRY				
SIZE in/mm	A	B	L-RTJ	C	D	E	WEIGHT lb/kg*	L-RTJ	C	D	E	WEIGHT lb/kg*
2 1/16 50	2.06 52.4	2.06 52.4	14.61 371	8.50 216	6.50 165	4.33 110	(1)	14.61 371	8.50 216	6.50 165	4.33 110	(1)
3/8 80	3.12 79.3	3.12 79.3	17.13 435	9.49 241	7.87 200	5.51 140	(1)	17.13 435	9.49 241	7.87 200	5.51 140	(1)
4 1/16 100	4.06 103.2	4.06 103.2	20.12 511	11.61 295	8.27 210	6.69 170	(1)	20.12 511	11.61 295	8.27 210	6.69 170	(1)
5/8 150	5.12 130	5.12 130	24.13 613	16.65 423	10.83 275	10.16 258	(1)	24.13 613	16.65 423	10.83 275	10.16 258	(1)
7 1/16 200	7.06 179.4	7.06 179.4	28.11 714	15.00 381	13.78 350	13.39 340	(1)	28.11 714	15.00 381	13.78 350	13.39 340	(1)

CLASS API 5000 FULL BORE

ALL TYPES			SIDE-ENTRY					TOP-ENTRY				
SIZE in/mm	A	B	L-RTJ	C	D	E	WEIGHT lb/kg*	L-RTJ	C	D	E	WEIGHT lb/kg*
2 1/16 50	2.06 52.4	2.06 52.4	14.61 371	8.50 216	6.50 165	4.33 110	(1)	14.61 371	8.50 216	6.50 165	4.33 110	(1)
3/8 80	3.12 79.3	3.12 79.3	18.62 473	10.51 267	7.87 200	5.51 140	(1)	18.62 473	10.51 267	7.87 200	5.51 140	(1)
4 1/16 100	4.06 103.2	4.06 103.2	21.61 549	12.24 311	8.27 210	6.69 170	(1)	21.61 549	12.24 311	8.27 210	6.69 170	(1)
5/8 150	5.12 130	5.12 130	28.62 727	16.65 423	11.02 280	10.16 258	(1)	28.62 727	16.65 423	11.02 280	10.16 258	(1)
7 1/16 200	7.06 179.4	7.06 179.4	32.01 813	21.26 540	13.58 345	13.39 340	(1)	32.01 813	21.26 540	13.58 345	13.39 340	(1)

CLASS API 10000 FULL BORE

ALL TYPES			SIDE-ENTRY					TOP-ENTRY				
SIZE in/mm	A	B	L-RTJ	C	D	E	WEIGHT lb/kg*	L-RTJ	C	D	E	WEIGHT lb/kg*
2 1/16 50	2.06 52.4	2.06 52.4	20.51 521	11.02 280	7.68 195	8.43 214	(1)	20.51 521	11.02 280	7.68 195	8.43 214	(1)
3/8 80	3.07 78	3.07 78	24.37 619	13.98 355	9.06 230	10.00 254	(1)	24.37 619	13.98 355	9.06 230	10.00 254	(1)
4 1/16 100	4.06 103.2	4.06 103.2	26.38 670	17.95 456	12.05 306	11.02 280	(1)	26.38 670	17.95 456	12.05 306	11.02 280	(1)

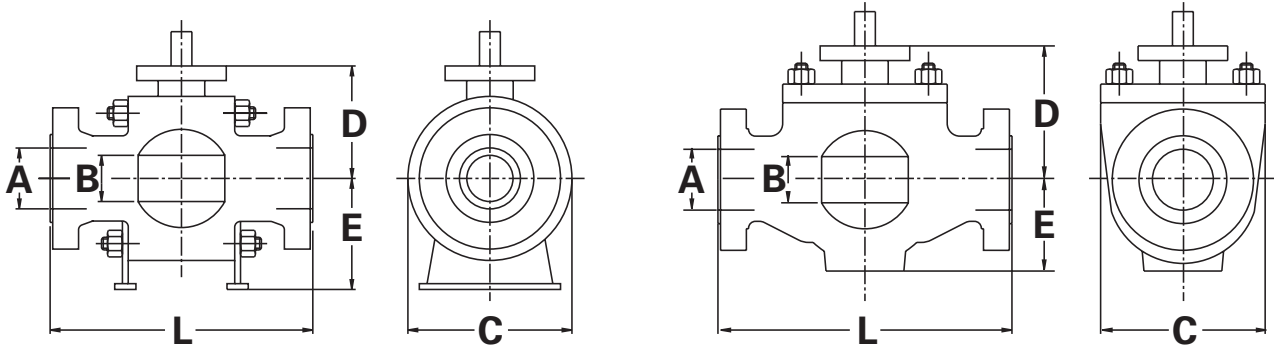
* Weight figures are relevant to flanged end valves.

(1) Please consult the factory.

Note: Consult the factory for additional dimensions & weights.

Dimensions C, D, E and weights are subject to change without notice.

DIMENSIONS & WEIGHTS



CLASS API 3000 REDUCED BORE

ALL TYPES			SIDE-ENTRY					TOP-ENTRY				
SIZE in/mm	A	B	L-RTJ	C	D	E	WEIGHT lb/kg*	L-RTJ	C	D	E	WEIGHT lb/kg*
2 1/16 × 1 1/16 50 × 40	2.06 52.4	1.81 46	14.61 371	8.50 216	6.50 165	4.33 110	(1)	14.61 371	8.50 216	6.50 165	4.33 110	(1)
3 1/8 × 2 1/16 80 × 50	3.12 79.3	2.06 52.4	17.13 435	9.49 241	6.50 165	4.33 110	(1)	17.13 435	9.49 241	7.87 200	5.51 140	(1)
4 1/16 × 3 1/8 100 × 80	4.06 103.2	3.12 79.3	20.12 511	11.61 295	7.87 200	5.51 140	(1)	20.12 511	11.61 295	8.27 210	6.69 170	(1)
5 1/8 × 4 1/16 125 × 100	5.12 130	4.06 103.2	24.13 613	13.78 350	8.27 210	6.69 170	(1)	24.13 613	16.65 423	10.83 275	10.16 258	(1)
7 1/16 × 6 200 × 150	7.06 179.4	6.00 152.4	28.11 714	15.00 381	13.78 350	13.39 340	(1)	28.11 714	15.00 381	13.78 350	13.39 340	(1)

CLASS API 5000 REDUCED BORE

ALL TYPES			SIDE-ENTRY					TOP-ENTRY				
SIZE in/mm	A	B	L-RTJ	C	D	E	WEIGHT lb/kg*	L-RTJ	C	D	E	WEIGHT lb/kg*
2 1/16 50	2.06 52.4	2.06 52.4	14.61 371	8.50 216	6.50 165	4.33 110	(1)	14.61 371	8.50 216	6.50 165	4.33 110	(1)
3 1/8 80	3.12 79.3	3.12 79.3	18.62 473	10.51 267	7.87 200	5.51 140	(1)	18.62 473	10.51 267	7.87 200	5.51 140	(1)
4 1/16 100	4.06 103.2	4.06 103.2	21.61 549	12.24 311	8.27 210	6.69 170	(1)	21.61 549	12.24 311	8.27 210	6.69 170	(1)
5 1/8 150	5.12 130	5.12 130	28.62 727	16.65 423	11.02 280	10.16 258	(1)	28.62 727	16.65 423	11.02 280	10.16 258	(1)
7 1/16 200	7.06 179.4	7.06 179.4	32.01 813	21.26 540	13.58 345	13.39 340	(1)	32.01 813	21.26 540	13.58 345	13.39 340	(1)

CLASS API 10000 REDUCED BORE

ALL TYPES			SIDE-ENTRY					TOP-ENTRY				
SIZE in/mm	A	B	L-RTJ	C	D	E	WEIGHT lb/kg*	L-RTJ	C	D	E	WEIGHT lb/kg*
2 1/16 50	2.06 52.4	2.06 52.4	20.51 521	11.02 280	7.68 195	8.43 214	(1)	20.51 521	11.02 280	7.68 195	8.43 214	(1)
3 1/8 80	3.07 78	3.07 78	24.37 619	13.98 355	9.06 230	10.00 254	(1)	24.37 619	13.98 355	9.06 230	10.00 254	(1)
4 1/16 100	4.06 103.2	4.06 103.2	26.38 670	17.95 456	12.05 306	11.02 280	(1)	26.38 670	17.95 456	12.05 306	11.02 280	(1)

* Weight figures are relevant to flanged end valves.

(1) Please consult the factory.

Note: Consult the factory for additional dimensions & weights.

Dimensions C, D, E and weights are subject to change without notice.

American Petroleum Institute – API



API 6D License No.: 6D-0121.1 (certified since 1993)

API 6A	API 607	API RP6F
API 6FA	API 598	API 605

American Society of Mechanical Engineers – ASME

ASME B 16.5	ASME B 16.10	ASME B 16.25
ASME B 16.34	ASME B 31.3	ASME B31.8
ASME B 46.1		

International Organization for Standardisation – ISO

ISO 9001:2000

British Standards

BS EN 10222	BS EN 10213
BS 1560	BS EN 588
BS 4504	BS EN 12266
BS 5351	BS 6755
BS EN 9000	

Manufacturers Standardization Society – MSS

MSS SP 6	MSS SP 25
MSS SP 44	MSS SP 45
MSS SP 55	MSS SP 61
MSS SP 72	

MATERIALS

BODY & TRIM MATERIAL

CARBON STEEL

A105N A216 WCB A216 WCC

LOW TEMPERATURE CARBON STEEL

A350 LF2 A352 LCB A352 LCC

LOW ALLOY STEEL

AISI 4140 A694 F65 A694 F52

A694 F60 A350 LF3

API 6A 60K (A694 F60 Mod)

MARTENSITIC STAINLESS STEEL

A182 F6A A182 F6NM

A217 CA15 A487 CA6NM

AUSTENITIC STAINLESS STEEL

A182 F316 A182 F316L

A182 F316LN-Mod. A182 F347

A182 F44 (6% Mo) A182 FXM-19
(UNS S31254) (Nitronic 50)

A351 CF8M A351 CF3

A351 CF3M

PRECIPITATION HARDENING STAINLESS STEEL

A564 Gr 630 H1150M (UNS S17400)

DUPLEX STAINLESS STEEL

A181 F51 (UNS S31803)

A182 F53 (UNS S31750)

A182 F55 (UNS S31760)

A890-4A (UNS S31803)

A890-6A (UNS S32760)

NICKEL ALLOYS

Incoloy 825 (UNS N08825) Incoloy 925 (UNS N09925)

Inconel 625 (UNS N06625) Inconel 718 (UNS N07718)

Inconel 750 (UNS N07750)

Monel 400

Monel K500

HOW TO ORDER

F BODY MATERIAL								
CODE	BODY	BODY ADAPTER (2PCS BODY) CLOSURES (3PCS BODY) BONNET (TOP-ENTRY)	CODE	BODY	BODY ADAPTER (2PCS BODY) CLOSURES (3PCS BODY) BONNET (TOP-ENTRY)	CODE	BODY	BODY ADAPTER (2PCS BODY) CLOSURES (3PCS BODY) BONNET (TOP-ENTRY)
C0	A105N	A105N	L2	A352 LCC	A352 LCC	S6	A386 CF8	A386 CF8
C1	A105N	A694 F52	L3	A352 LCC	A350 LF2	S7	A386 CF8M	A386 CF8M
C2	A105N	A694 F60	L4	A694 F60 Impact Tested	A694 F60 Impact Tested	S8	A479 XM19 (Nitronic 50)	A479 XM19 (Nitronic 50)
C3	A216 WCB	A216 WCB	L5	A350 LF3	A350 LF3	S9	A564 GR.630 (UNS S17400)	
C4	A216 WCB	A105N	L6	API 6A 60K (LF2 mod)	API 6A 60K (LF2 mod)	D0	A182 F51 (UNS S31803)	A182 F51 (UNS S31803)
C5	A694 F52	A694 F52	L7	API 6A 60K	API 6A 60K	D1	A182 F53 (UNS S31750)	A182 F53 (UNS S31750)
C6	A694 F60	A694 F60		(A694 F60 mod)	(A694 F60 mod)	D2	A182 F55 (UNS S31760)	A182 F55 (UNS S31760)
C7	A694 F60	A694 F65	S0	A182 F6A	A182 F6A	D3	A182 F44 (UNS S31254)	A182 F44 (UNS S31254)
C8	API 6A 60K (LF2 mod.)	API 6A 60K (LF2 mod)	S1	A182 F6NM	A182 F6NM	A0	Incoloy 825 (UNS N08825)	Incoloy 825 (UNS N08825)
C9	API 6A 60K (A694 F60 mod.)	API 6A 60K (A694 F60 mod)	S2	A182 F304	A182 F304	A1	Incoloy 925 (UNS N09925)	Incoloy 925 (UNS N09925)
LO	A350 LF2	A350 LF2	S3	A182 F316	A182 F316	A2	Inconel 625 (UNS N06625)	Inconel 625 (UNS N06625)
L1	A350 LF2	A694 F60 Impact Tested	S4	A182 F316L	A182 F316L	A3	Monel K	Monel K
			S5	A182 F316LN mod.	A182 F316LN mod.			

G INTERNAL COATING			
A - ENP 0.003" on seat pocket & stem seals	E - F316 overlay on wetted parts	J - F51 overlay on wetted parts	M - Inconel 625 overlay on RTJ groves
B - F316 overlay on seat pockets	F - F51 overlay on seat pockets	L - Inconel 625 overlay on seat pockets	N - Inconel overlay on wetted parts
C - F316 overlay on stem and seat pockets	G - F51 overlay on stem and seat pockets	K - Inconel 625 overlay on stem & seat pockets	
D - F316 overlay on RTJ groves	H - F51 overlay on RTJ groves		

H TRIM MATERIAL			
CODE	BALL	SEAT RINGS	STEM
00	A105N	A105N	AISI 4140
01	A105N	A105N	A182 F6A
02	A694 F60	A105N	A694 F60
03	API 6A 60K (LF2 mod.)	API 6A 60K (LF2 mod.)	API 6A 60K (LF2 mod.)
04	API 6A 60K (A694 F60 mod.)	API 6A 60K (A694 F60 mod.)	API 6A 60K (A694 F60 mod.)
05	A350 LF2	A350 LF2	A350 LF2
06	A350 LF2	A350 LF2	AISI 4140
07	A350 LF2	A350 LF2	A182 F6A
08	A694 F60 Impact tested	A350 LF2	AISI 4140
09	API 6A 60K (LF2 mod.)	API 6A 60K (LF2 mod.)	API 6A 60K (LF2 mod.)
10	API 6A 60K (A694 F60 MOD)	API 6A 60K (A694 F60 MOD)	API 6A 60K (A694 F60 MOD)
11	A182 F6A	A182 F6A	A182 F6A
12	A182 F6NM	A182 F6NM	A182 F6NM
13	A182 F304	A182 F304	A182 F304
14	A182 F316	A182 F316	A182 F316
15	A182 F316	A182 F316	A182 F51
16	A182 F316	A182 F316	A564 Gr.630 (UNS S17400)
17	A182 F316	A182 F316	A479 XM19 (Nitronic 50)
18	A182 F316LN mod.	A182 F316	A182 F51
19	A182 F316LN mod.	A182 F316	A564 Gr.630 (UNS S17400)
20	A479 XM19 (Nitronic 50)	A479 XM19 (Nitronic 50)	A479 XM19 (Nitronic 50)
21	A564 Gr.630 (UNS S17400)	A564 Gr.630 (UNS S17400)	A564 Gr.630 (UNS S17400)
22	A182 F51 (UNS S31803)	A182 F51 (UNS S31803)	A182 F51 (UNS S31803)
23	A182 F53 (UNS S31750)	A182 F53 (UNS S31750)	A182 F53 (UNS S31750)
24	A182 F55 (UNS S31760)	A182 F55 (UNS S31760)	A182 F55 (UNS S31760)
25	A182 F44 (UNS S31254)	A182 F44 (UNS S31254)	A182 F44 (UNS S31254)
26	Incoloy 825 (UNS N08825)	Incoloy 825 (UNS N08825)	Incoloy 825 (UNS N08825)
27	Incoloy 925 (UNS N09925)	Incoloy 925 (UNS N09925)	Incoloy 925 (UNS N09925)
28	Inconel 625 (UNS N06625)	Inconel 625 (UNS N06625)	Inconel 625 (UNS N06625)
29	Monel K	Monel K	Monel K

I TRIM COATING					
CODE	BALL	STEM	TRUNNION	SEAT	GL. PLATE
1	ENP 0.001"	ENP 0.001"	ENP 0.001"	ENP 0.001"	ENP 0.001"
2	ENP 0.003"	ENP 0.003"	ENP 0.003"	ENP 0.003"	ENP 0.003"
3	N/A	ENP 0.001"	N/A	N/A	N/A
4	Tungsten Carbide	ENP 0.001"	ENP 0.001"	Tungsten Carbide	ENP 0.001"
5	Tungsten Carbide	ENP 0.003"	ENP 0.003"	Tungsten Carbide	ENP 0.003"
6	Chrome Carbide	ENP 0.001"	ENP 0.001"	Chrome Carbide	ENP 0.001"
7	Chrome Carbide	ENP 0.003"	ENP 0.003"	Chrome Carbide	ENP 0.003"

J SEAL(1)					
CODE	SEAT INSERT	O-RING	CODE	SEAT INSERT	O-RING
N1	Nylon	HNBR	R5	RPTFE	Viton AED/GLT
N2	Nylon	Viton B	R6	RPTFE	Viton AED JW
N3	Nylon	Viton GLT	R7	RPTFE	PTFE+Elgiloy Springs
N4	Nylon	Viton AED	P1	Peek	Viton B
N5	Nylon	Viton AED/GLT	P2	Peek	Viton GLT
N6	Nylon	Viton AED JW	P3	Peek	Viton AED
N7	Nylon	PTFE+Elgiloy Springs	P4	Peek	Viton AED/GLT
V1	Viton B (2)	HNBR	P5	Peek	Viton AED JW
V2	Viton B (2)	Viton B	P6	Peek	PTFE+Elgiloy Spring
V3	Viton B (2)	Viton GLT	H1	Peek	N/A
V4	Viton AED (2)	Viton AED	H2	Peek	N/A
V5	Viton AED/GLT (2)	Viton	H3	Peek	N/A
D1	Devlon	HNBR	H4	Peek	N/A
D2	Devlon	Viton B	H5	Peek	N/A
D3	Devlon	Viton GLT	H6	Peek	N/A
D4	Devlon	Viton AED	K1	PCTFE	PTFE+Elgiloy Springs
D5	Devlon	Viton AED/GLT	M1	N/A (3)	Viton B
D6	Devlon	Viton AED JW	M2	N/A (3)	Viton GLT
D7	Devlon	Ptfe+Elgiloy Springs	M3	N/A (3)	Viton AED
R1	RPTFE	HNBR	M4	N/A (3)	Viton AED/GLT
R2	RPTFE	Viton B	M5	N/A (3)	Viton AED JW
R3	RPTFE	Viton GLT	M6	N/A (3)	PTFE+Elgiloy Springs
R4	RPTFE	Viton AED	M7	N/A (3)	N/A

(1) All seals on gaskets are graphite. (2) Delta Ring (3) metal-to-metal

K BOLT & NUT							
CODE	BOLT	NUT	COATING	CODE	BOLT	NUT	COATING
00	A193-B7	A194 2H	N/A	16	A320-L7M	A194 Gr.4M	N/A
01	A193-B7	A194 2H	Hot Zinc	17	A320-L7M	A194 Gr.4M	Hot Zinc
02	A193-B7	A194 2H	PTFE	18	A320-L7M	A194 Gr.4M	PTFE
03	A193-B7	A194 2H	Cadmium+Prtfe	19	A320-L7M	A194 Gr.4M	Cadmium+Prtfe
04	A193-B7M	A194 2HM	N/A	20	A320-L7M	A194 Gr.7M	N/A
05	A193-B7M	A194 2HM	Hot Zinc	21	A320-L7M	A194 Gr.7M	Hot Zinc
06	A193-B7M	A194 2HM	PTFE	22	A320-L7M	A194 Gr.7M	PTFE
07	A193-B7M	A194 2HM	Cadmium+Prtfe	23	A320-L7M	A194 Gr.7M	Cadmium+Prtfe
08	A320-L7	A194 Gr.4	N/A	24	A193 B8 Cl. 2	A194 Gr.8	
09	A320-L7	A194 Gr.4	Hot Zinc	25	A193 B8M	A194 Gr.8M	
10	A320-L7	A194 Gr.4	PTFE	26	A320-L7M	A194 G4M	
11	A320-L7	A194 Gr.4	Cadmium+Prtfe	27	F51	F51	
12	A320-L7	A194 Gr.7	N/A	28	A453 Gr.660 Cl.A	A453 Gr.660 Cl.A	
13	A320-L7	A194 Gr.7	Hot Zinc				
14	A320-L7	A194 Gr.7	PTFE				
15	A320-L7	A194 Gr.7	Cadmium+Prtfe				